

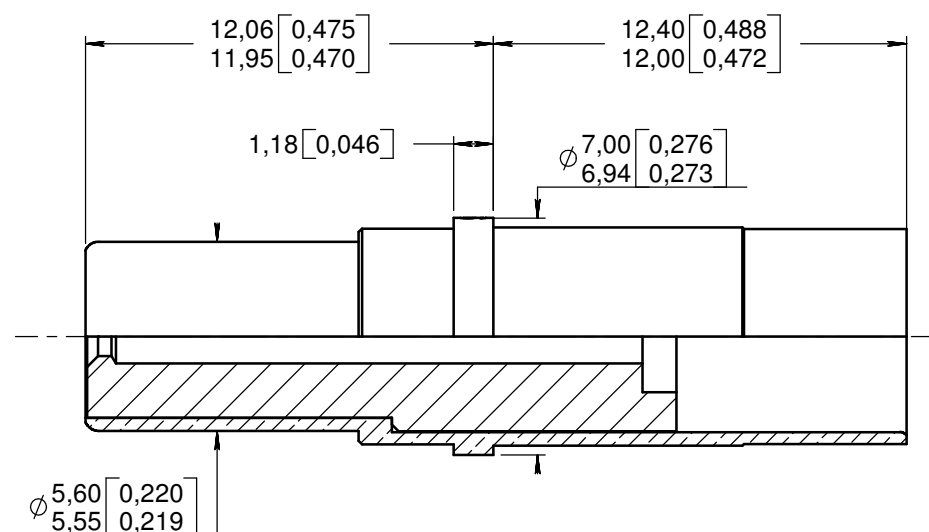
Series
EPXB

Environmental size 5 coaxial pin crimp contact
For RG174, RG179DT and RG316 cables.

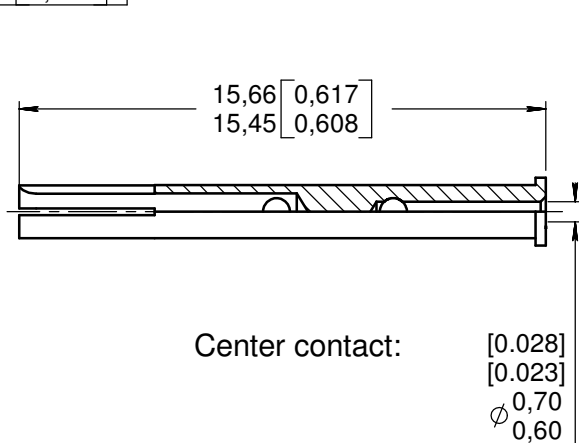
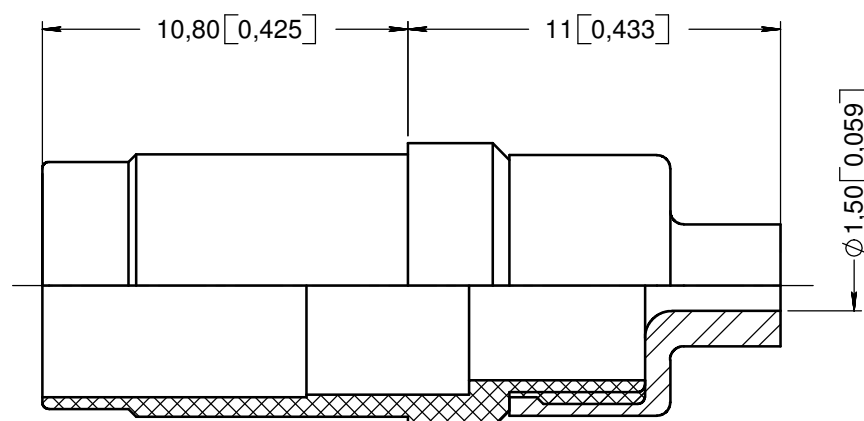
Issue:
May 7, 2008

Page
1/1

Outer contact sub assembly:

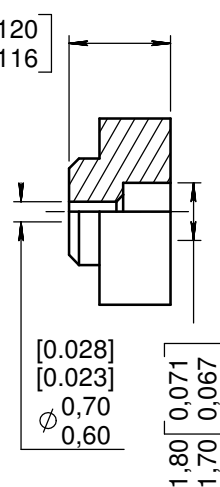


Environmental sleeve:



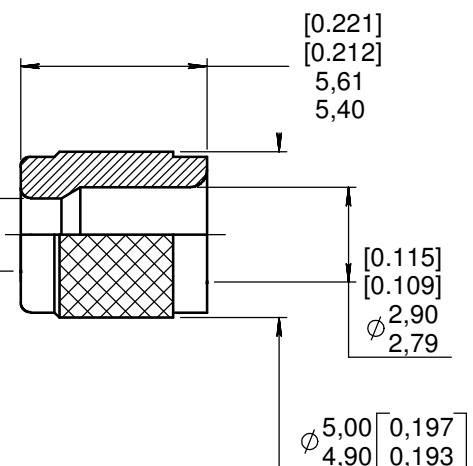
Center contact:

[0,028]
[0,023]
 ϕ 0,70
 ϕ 0,60



Dielectric sleeve:

[0,028]
[0,023]
 ϕ 0,70
 ϕ 0,60



Ferrule:

[0,221]
[0,212]
5,61
5,40

[0,115]
[0,109]
 ϕ 2,90
 ϕ 2,79

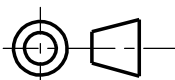
Materials end finishes:

- Outer contact and center contact: Beryllium copper; gold over nickel.
- Ferrule: Copper alloy; gold over nickel.
- Dielectric: PTFE.
- Front environmental sleeve: Thermoplastic.
- Rear environmental sleeve: Fluorosilicone.

Wiring instructions: RP08871.

Insertion/Extraction tool: M81969/28-01 (RADIALL P/N: 282946).

DIMENSIONS : mm (inch are given for information only)



Confidential information not to be disclosed to third parties without Radiall approval. This information is given as an indication, in the continual goal to improve our products, we reserve the right to make any modifications judged necessary.

4112_9311

CREATION				
PEN: M040400107A				
NOM: L.Garcia				
DATE: Nov. 25, 04				
APPR.: C.Lahoreau	May 7, 08	RG179DT cable added and dimension updated	Pailot N.	Pessard M.
	Issue	Revisions	Name	Approved