



RADIALL[®]
MULTICONTACT CONNECTORS

TECHNICAL DATA SHEET

617 102 001

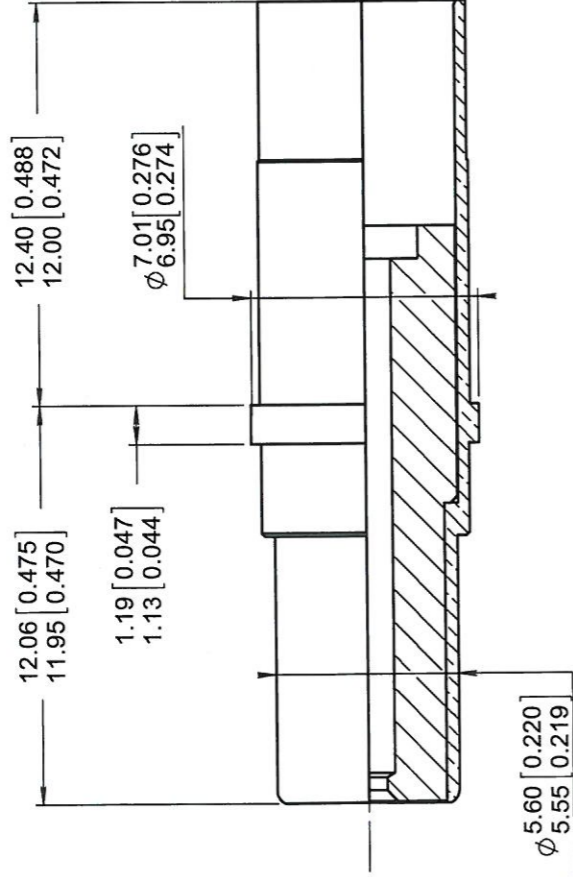
Series
EPXB

Environmental size 5 coaxial pin crimp contact
For RG142 and RG 400 cables.

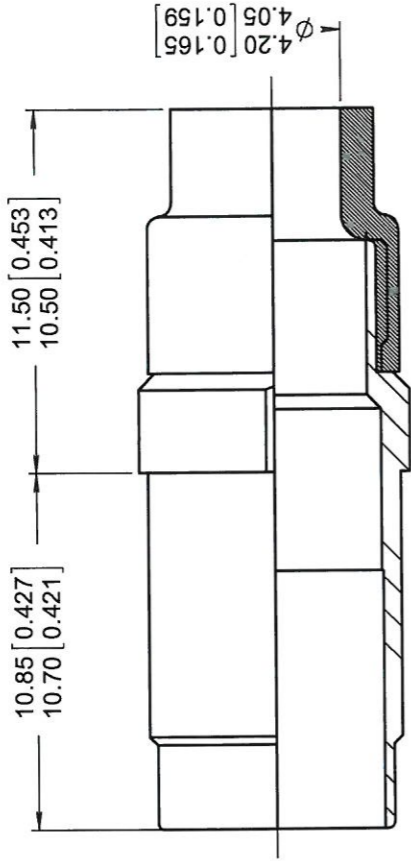
Issue:
Fev. 22, 2012

Page
1/1

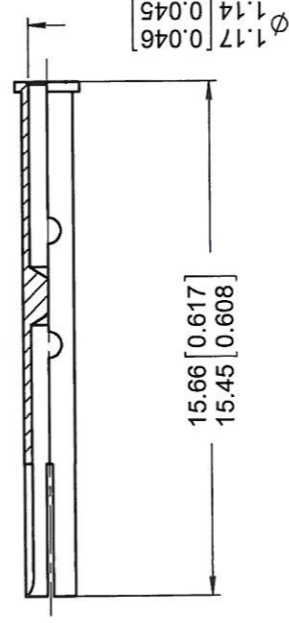
Outer contact sub assembly:



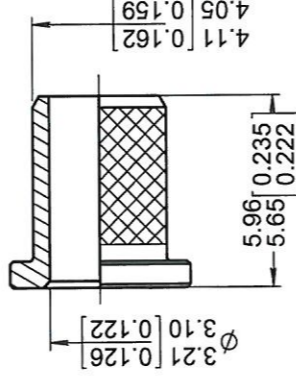
Environmental sleeve:



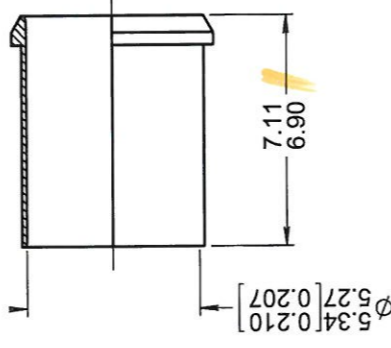
Center contact:



Crimp barrel:



Crimp sleeve:



Materials end finishes:

- Outer contact and center contact: Beryllium copper; gold over nickel.
- Crimp barrel and crimp sleeve: Copper alloy; gold over nickel.
- Dielectric: PTFE.
- Front environmental sleeve: Thermoplastic.
- Rear environmental sleeve: Fluorosilicone.

Wiring instructions: RP7826.

Insertion/Extraction tool: M81969/28-01 (RADIALL P/N: 282946).

DIMENSIONS : mm (inch) -

CREATION

PEN: M040400107A

NOM: L.Garcia

DATE: Nov. 25, 04

APPR.: M.Pessard

22 Mar 12 SUP. RG 223 CABLE

08 Mar 05 ADD RG 400 CABLE

Issue Revisions

DELCLAUD LEPAGE

ARNAULT GARCIA

Name Approved

617102001EN