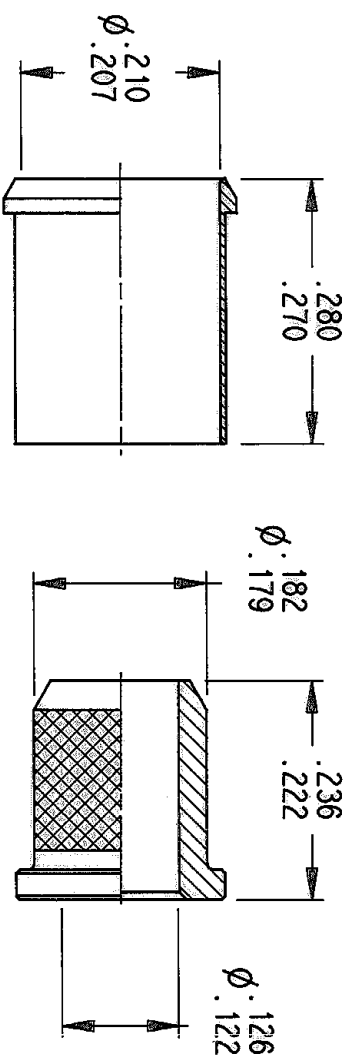
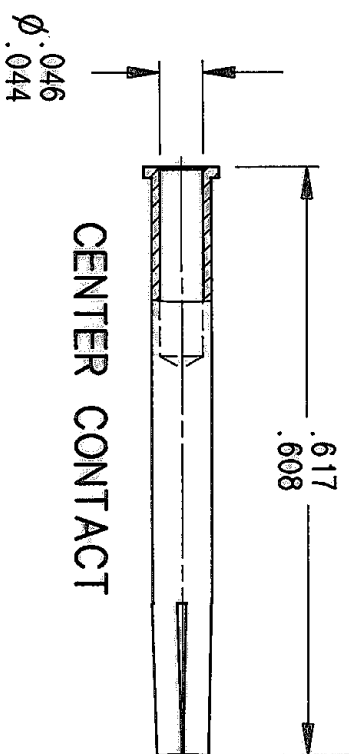
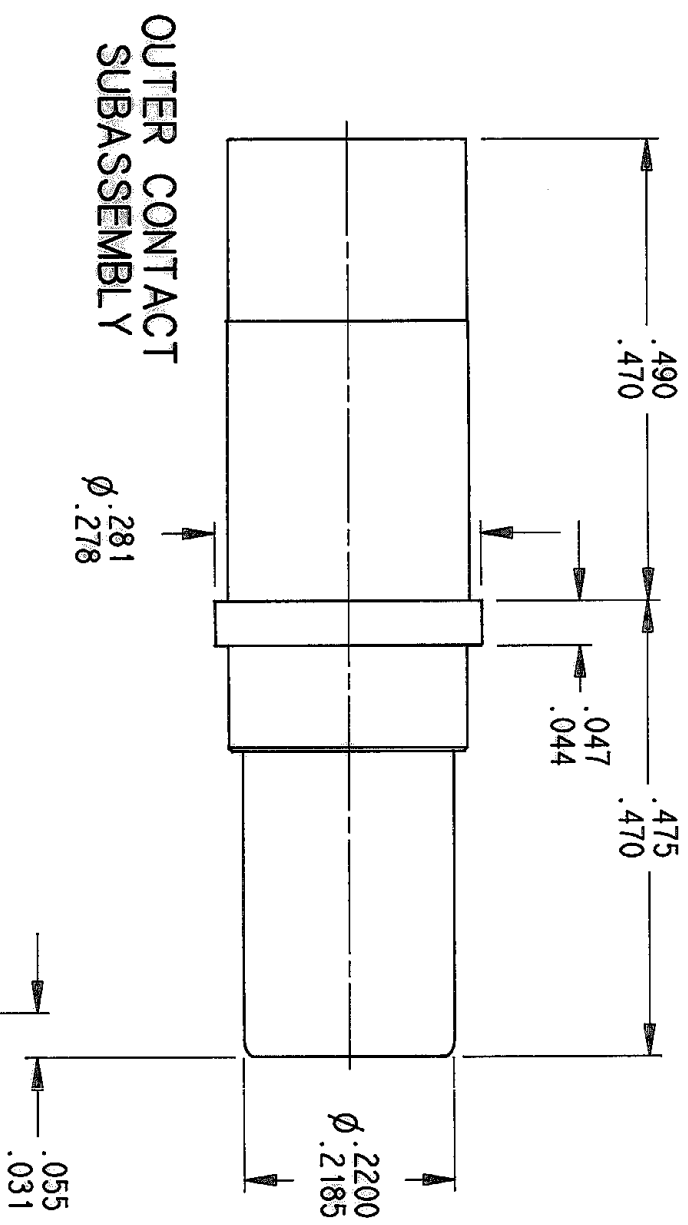


Series
EPX

SIZE 5 COAXIAL CRIMP PIN CONTACT
FOR RG58 AND RG141 CABLES

Issue:
19 DEC. 94

Page
1 / 1



MATERIAL AND FINISH:
OUTER CONTACT AND CENTER CONTACT: BERYLLIUM COPPER_GOLD OVER NICKEL PLATED
CRIMP BARREL AND CRIMP SLEEVE: COPPER ALLOY_GOLD OVER NICKEL PLATED
DIELECTRIC: PTFE

WIRING INSTRUCTIONS: SEE RP7826

INSERTION/EXTRACTION TOOL: M81969/28-01

CREATION
PEN: .
NOM: L FALETTI
DATE: 5 NOV. 91
APPR.: JP MACARI

Issue	Redrawn By CAD	Revisions	Name	Approved
19.12.94	REDRAWN BY CAD		JP MACARI	C. Colaninno

617101A