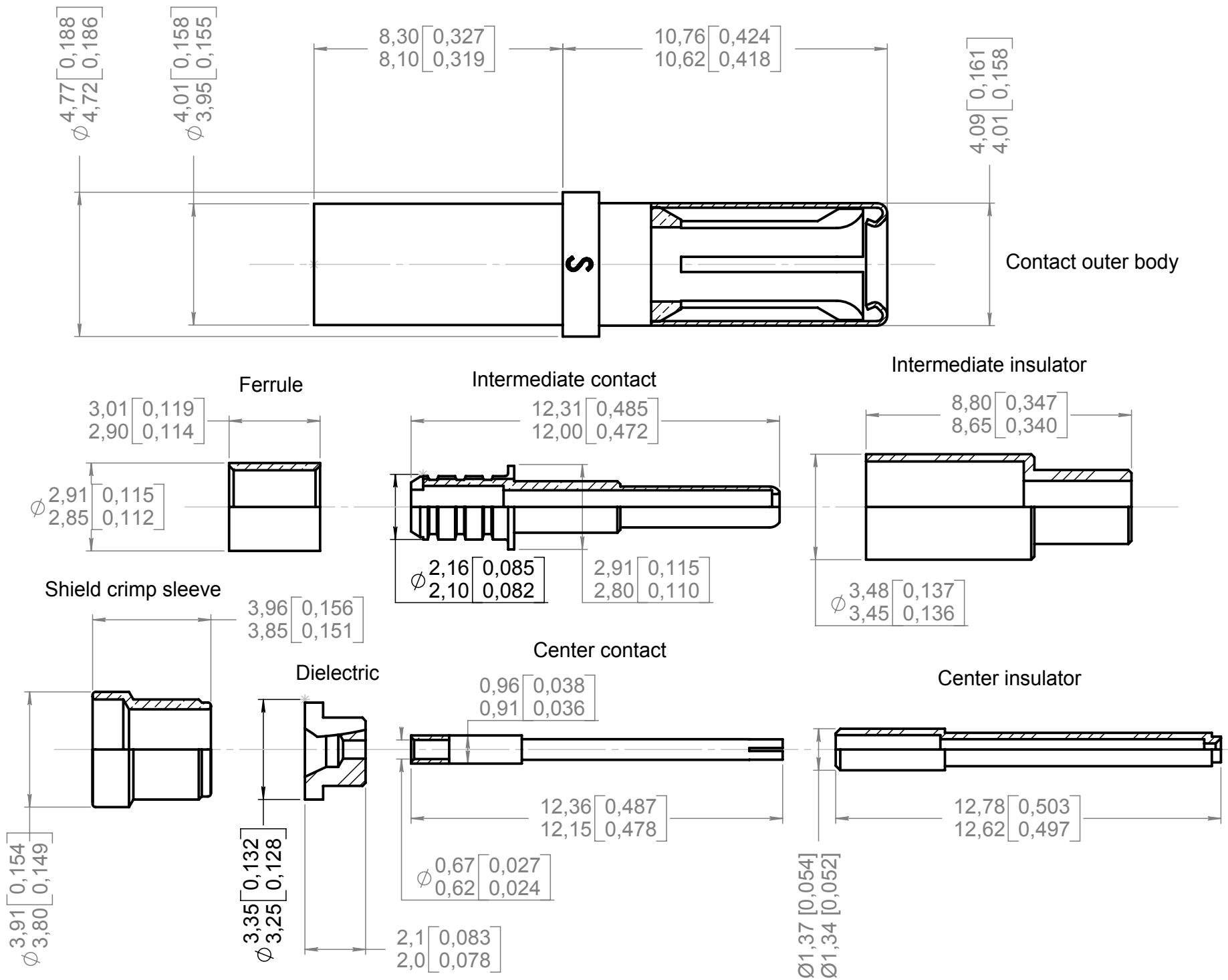


Series  
**EPX**

CONCENTRIC SIZE 12 TWINAX SOCKET CONTACT  
FOR M17/176-0002 CABLE

Issue:  
Feb. 22, 2008

Page  
**1/1**



**Material :**

- Outer body contact and center contact : beryllium copper per ASTM-B-196.
- Intermediate contact, shield crimp sleeve and ferrule : copper alloy per EN-12164, ASTM B453/453M.
- Dielectric and insulators: PTFE per ASTM-D-1710 or equivalent.

**Finish :**

- All metallic parts : Plating 0.00005 inch of gold per SAE AMS-2422 over nickel per SAE AMS QQ-N-290.

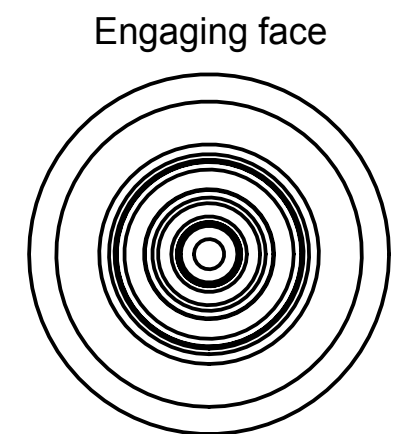
Insertion/Extraction tool: M81969/28-02

Spl RADIALL ins/ext : P/N: 282 547 (plastic)

Spl RADIALL ins/ext : P/N: 282 945 (metallic)

**WIRING INSTRUCTIONS : SEE MI CT 02 00000**

**DIMENSIONS : mm (inch are given for information only)**



Weight: 1.10 g / 0.0024lbs

This information is given as an indication. In the continual goal to improve our products, we reserve the right to make any modifications judged necessary.

4112\_9311

CREATION				
PEN: M040400119A	Feb. 22, 08	Dimension tolerances updated	Malty S.	LeGloahec
	Sept 05, 05	BOM updated and intermediate contact modified	Huger D.	Pessard M.
NOM: M.PESSARD	July 21, 05	"S" added on the outer body	Huger D.	Pessard M.
DATE: Dec. 09,2004	June 06, 05	Weight, engaging face and INS/EXT tools added	Pessard M.	Pessard M.
APPR.: L.GARCIA	Apr 01, 05	Dimensions and material standards added	LeGloahec	Pessard M.
	Issue	Revisions	Name	Approved