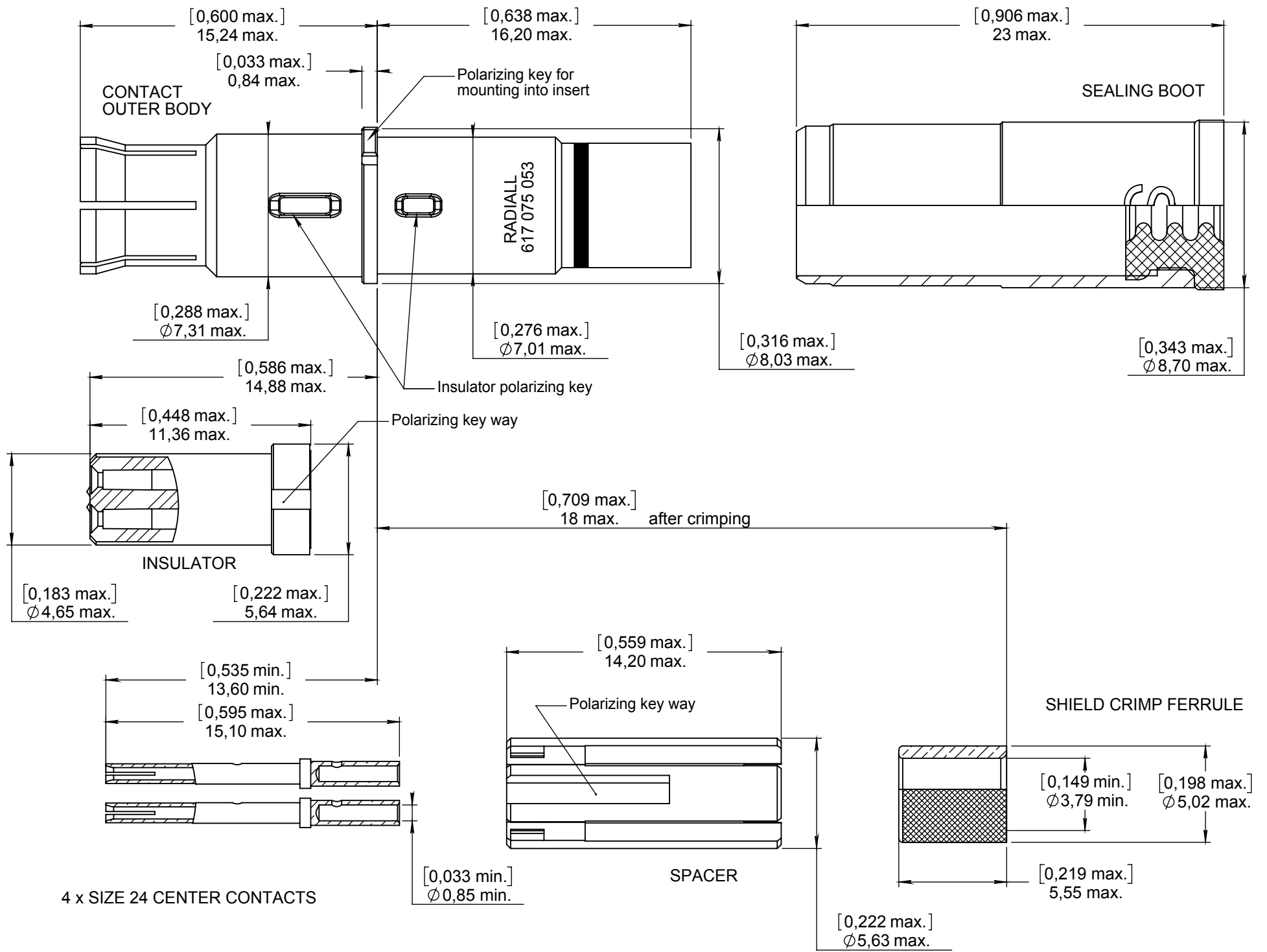


Series
EPXB

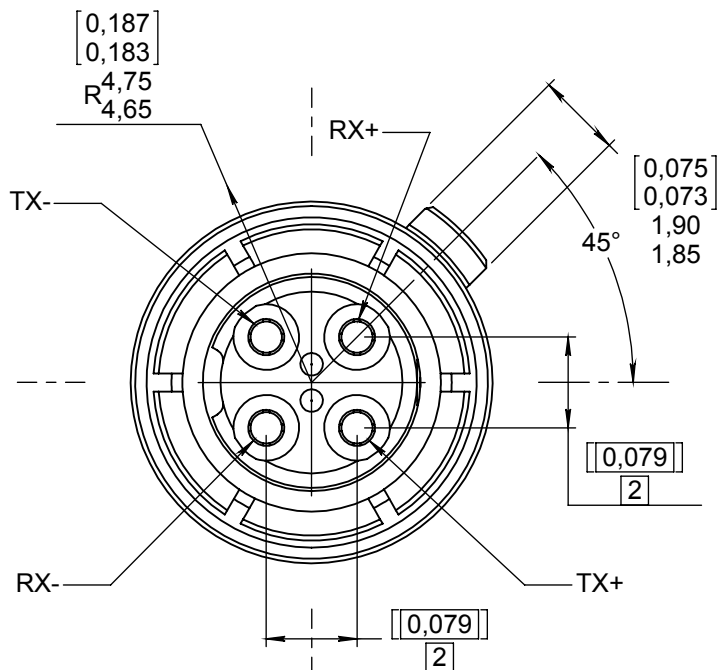
ENVIRONMENTAL SIZE 8 QUADRAX SOCKET CONTACT
FOR QUADRAX TENSOLITE NF26Q100 CABLES
FOR QUADRAX GORE RCN8487-1 CABLES

Issue:
Dec. 14, 2018

Page
1/1



ENGAGING FACE



MATERIAL:

- OUTER CONTACT : COPPER ALLOY
- CENTER CONTACTS : COPPER ALLOY
- FERRULE : COPPER ALLOY
- INSULATOR : PFA OR EQUIVALENT
- SPACER : THERMOPLASTIC
- SEALING BOOT: THERMOPLASTIC AND FLUROSILICONE.

FINISH:

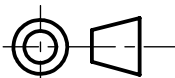
- ALL METAL PARTS: GOLD OVER NICKEL

EXTRACTION TOOL:

- M81969/28.03 (RADIALL: 282 549 001) OR M81969/14-06

WIRING INSTRUCTIONS:SEE RP55178.

DIMENSIONS : mm (inch are given for information only)



Estimated weight: 4,86g

CREATION

PEN: M070004817A

NOM: MALTY S.

DATE: Nov. 19, 2007

APPR.: PESSARD M.

Issue	Revisions	Name	Approved
Dec. 14, 18	Added estimated weight, updated contact outer dimensions	Weihls H.	Lopez C.
Jan 29, 09	Equivalent material of PTFE added for insulator	Pailot N.	PESSARD
Sept. 25, 08	Quadrax GORE RCN8487-1 cables added.	MALTY	PESSARD
Nov. 30, 07	RP55178 was RP57339	MALTY	PESSARD

617075053EN

RADIALL PROPRIETARY INFORMATION