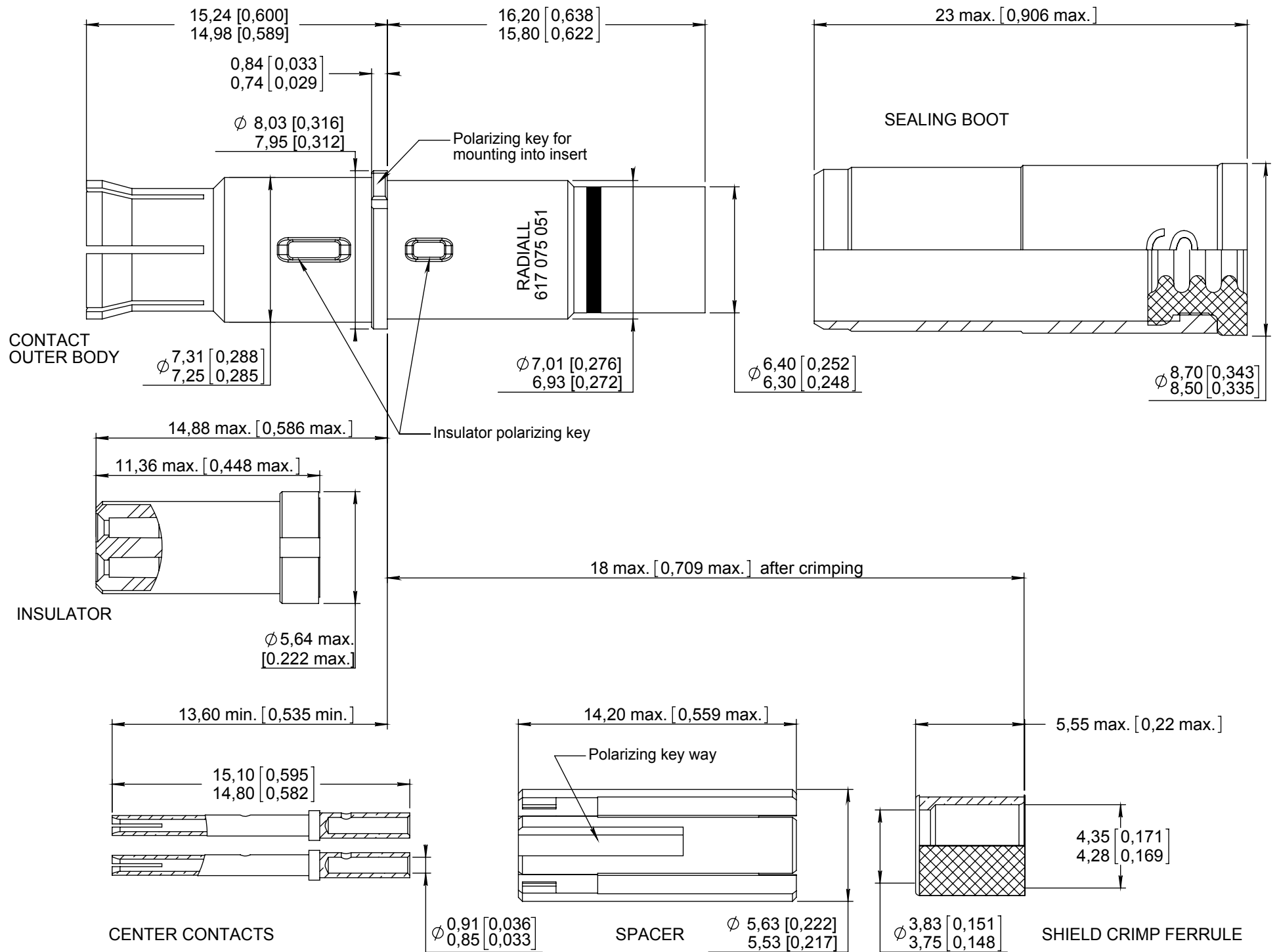


Series
EPXB

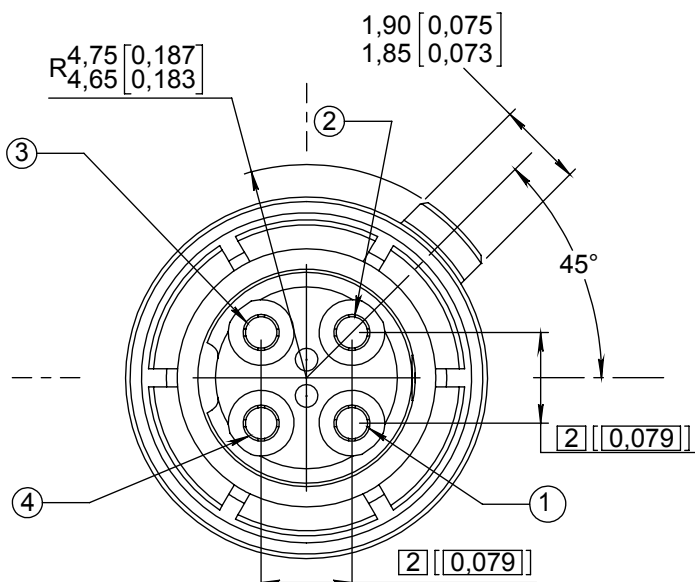
ENVIRONMENTAL SIZE 8 QUADRAX SOCKET CONTACT
FOR QUADRAX TENSOLITE NF24Q100 AND PIC E51424 CABLES

Issue:
Apr. 04, 2019

Page
1/1



ENGAGING FACE



MATERIAL:

- OUTER CONTACT : COPPER ALLOY PER ASTM-B-453
- CENTER CONTACTS : COPPER ALLOY C19160
- FERRULE : COPPER ALLOY PER ASTM-B-455
- INSULATOR : PFA PER ASTM-D-3307 OR EQUIVALENT
- SPACER : THERMOPLASTIC PER ASTM D 5205
- SEALING BOOT: THERMOPLASTIC PER ASTM-D-4067 AND FLUOROSILICONE PER SAE AMS-R-25988.

FINISH:

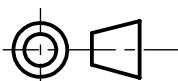
- ALL METAL PARTS:
PLATING .00005 INCH OF GOLD PER AMS 2422
OVER NICKEL PER SAE AMS QQ-N-290

EXTRACTION TOOL:

- M81969/28.03 (RADIALL: 282 549 001) OR M81969/14-06

WIRING INSTRUCTIONS: SEE RP57339.

DIMENSIONS : mm (inch are given for information only)



Estimated weight : 4,85 g

CREATION	DATE	REVISIONS	NAME	APPROVED
	Apr. 04, 19	Corrected dimensions according to Norm: EN3155-072	Lopez C.	Weihls H.
	Jul. 13, 18	Correction on Insulator dimension: 11,36 max [0,45] Correction on Spacer dimension: 5,53 [0,217]	Lopez C.	Weihls H.
PEN: M040400033A	Dec. 07, 15	Engaging face updated	YON P.	VIEIRA D.
	Sep. 04, 15	Add PIC E51424 cable	PECAULT B.	LEGENDRE T.
NOM: M.PESSARD	Aug. 24, 15	TDS updated : insulator and spacer material modification and spacer and ferrule dimensions corrected	YON P.	VIEIRA D.
DATE: May 05, 2004	Jan. 24, 08	Tolerance correction	S.MALTY	M.PESSARD
APPR.: L.GARCIA	Jun. 14, 07	[11.30;11.50] becomes [11.16;11.36]	A.LEBOCQ	M.PESSARD
	Issue			