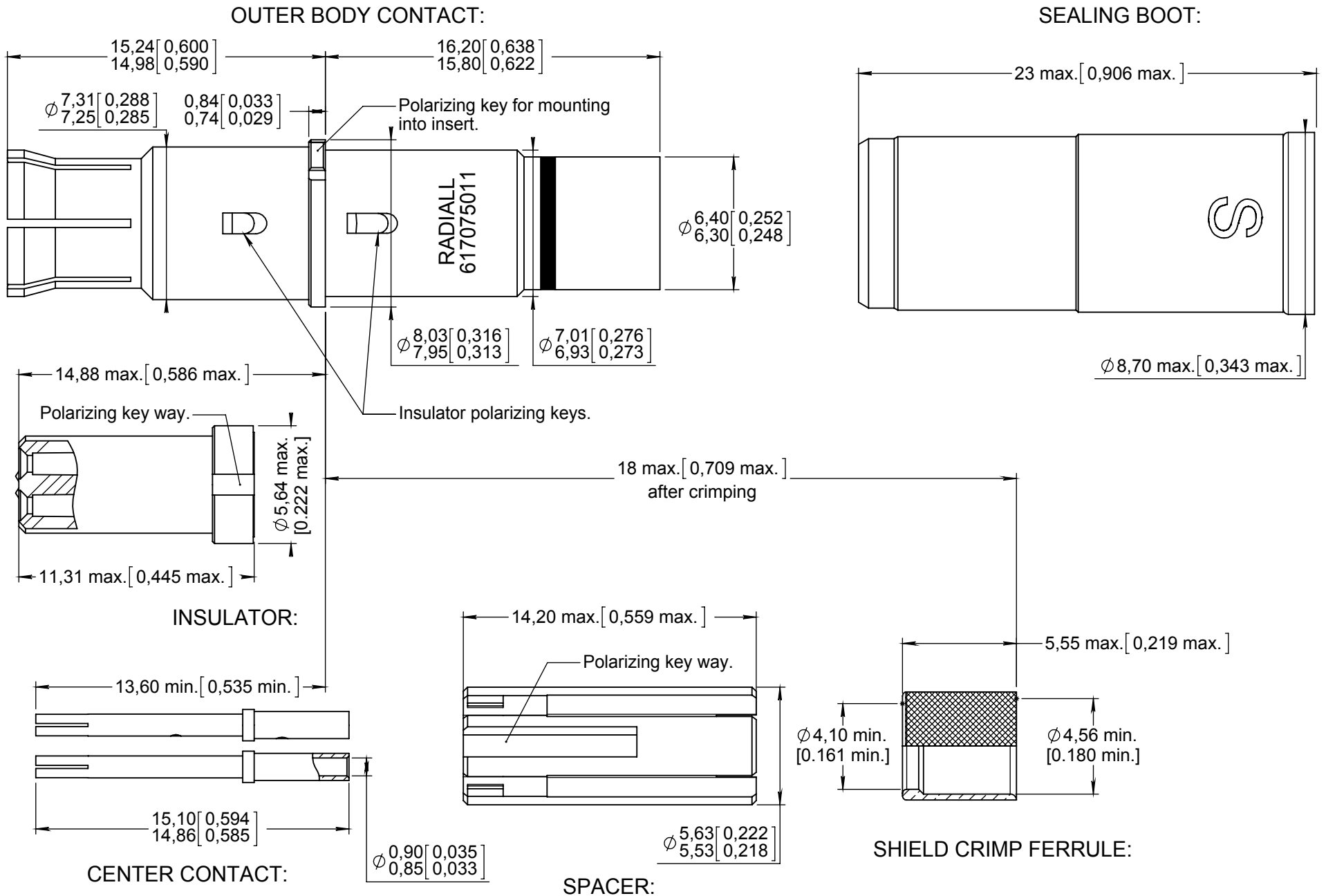
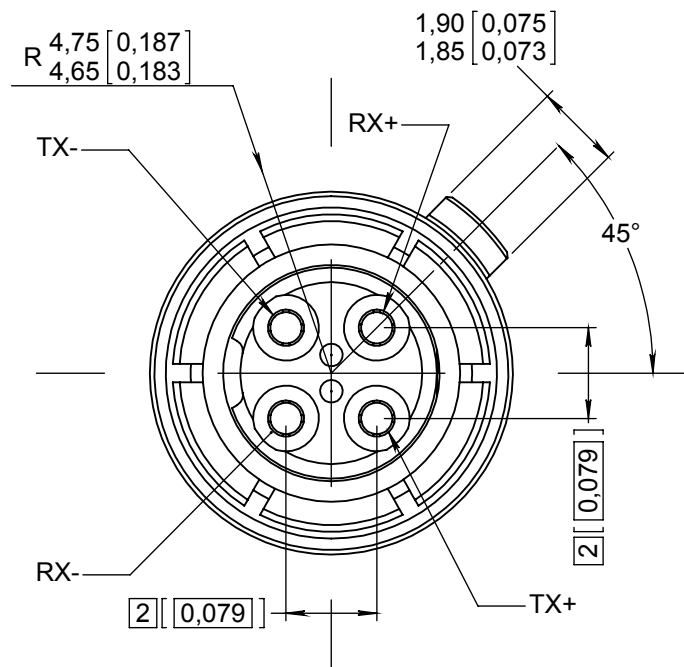


Series
EPXB
ENVIRONMENTAL SIZE 8 QUADRAX SOCKET CONTACT
FOR QUADRAX ETHERNET CABLES ABS0972, ABS1503KD24, ABS1503KL24 AND PIC E50424 CABLES
Issue:
 Mar. 03, 2016

Page
1/1

Engaging face:

MATERIAL:

- OUTER CONTACT : COPPER ALLOY PER ASTM-B-453
- CENTER CONTACTS : COPPER ALLOY C19160
- FERRULE : COPPER ALLOY PER ASTM-B-455
- INSULATOR : PFA PER ASTM-D-3307 OR EQUIVALENT
- SPACER : THERMOPLASTIC PER ASTM D 5205
- SEALING BOOT: THERMOPLASTIC PER ASTM-D-4067 AND FLUROSILICONE PER SAE AMS-R-25988.

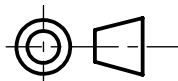
FINISH:

- ALL METAL PARTS: PLATING .00005 INCH OF GOLD PER AMS 2422 OVER NICKEL PER SAE AMS QQ-N-290

EXTRACTION TOOL:

- M81969/28.03 (RADIALL: 282 549 001) OR M81969/14-06.

WIRING INSTRUCTIONS: see RP55178.

DIMENSIONS : mm (inch are given for information only)


Estimated weight : 4.5 g

CREATION	Mar 03, 16	Cable per PIC E50424 added	Yon P.	Vieira
	Oct. 23, 15	Cable per ABS1503KL24 added	Moutault	Vieira
PEN:	Aug 24, 15	TDS updated : insulator and spacer material modification and spacer and ferrule dimensions corrected	Yon P.	Vieira D.
	May 14, 13	Rounding mistake updated	Pailot N.	LeGloahec Y
NOM: GARCIA L.	Jun 14, 07	13.60 max => 13.60 min & 11.40 => 11.16/11.36	Garcia L.	Pessard M
DATE: Oct. 19, 2004	Mar 16, 05	SAE-AMS-2422 was 2442	Garcia L.	Pessard M
APPR.: LAHOREAU C	Issue	Revisions	Name	Approved

617075011EN

RADIALL PROPRIETARY INFORMATION

This document contains proprietary information and such information shall not be disclosed to any third party for any purpose whatsoever or used for manufacturing purposes without prior written agreement from RADIALL. This information is given as an indication. In the continual goal to improve our products, we reserve the right to make any modifications judged necessary.

4112_9311