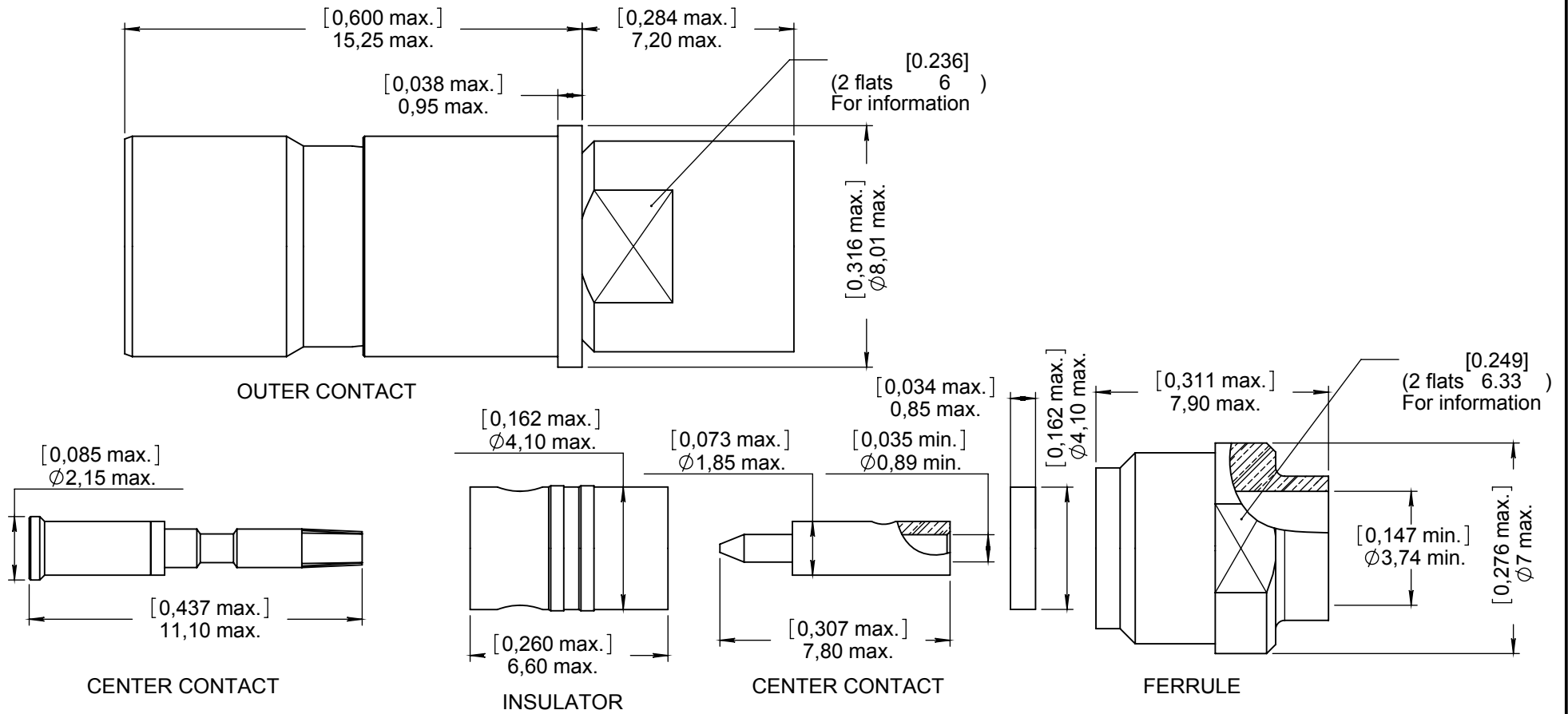


Series  
EPXB

SIZE 8 SOCKET BMA CONTACT  
FOR SHF3 CABLE

Issue:  
Aug 01, 2013

Page  
1/1



**MATERIALS & FINISHES :**

- OUTER CONTACT : Stainless steel, passivated, with clip in Beryllium copper, gold over nickel
- CENTER CONTACT : Copper alloy, Gold over nickel
- INSULATOR : PTFE or equivalent
- FERRULE : Brass, Gold over Nickel plated

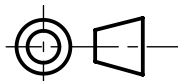
**ELECTRICAL CHARACTERISTICS :**

- IMPEDANCE : 50 Ω
- FREQUENCY : 0-18 Ghz
- VSWR = 1.05 + 0.0100 x F(Ghz) Maxi
- INSERTION LOSS = 0.03 √ F (Ghz) dB Maxi
- RF LEAKAGE = -( 80 -F (Ghz)) dB Maxi
- VOLTAGE RATING : 335 Veff Maxi
- DIELECTRIC WITHSTANDING VOLTAGE : 1000 Veff Mini
- INSULATION RESISTANCE : 5000 MΩ mini

**NOTES :**

- EXTRACTION TOOL : M81869/28-03 (RADIALL : 282 549 001) or M81869/14-06
- Contacts for SHF cables can't be sold alone but with a complete cable assembly

DIMENSIONS : mm (inch are given for information only)



Estimated weight : g

CREATION				
PEN: 1007992				
NOM: PAILOT N.				
DATE: Mar 29, 2010				
APPR.: LE GLOAHEC	Aug 01, 13	Centering boot removed	Ceberio	LeGloahec
	Issue	Revisions	Name	Approved