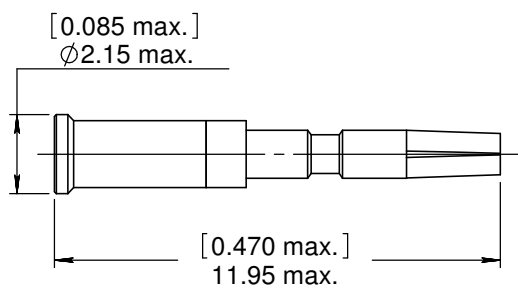
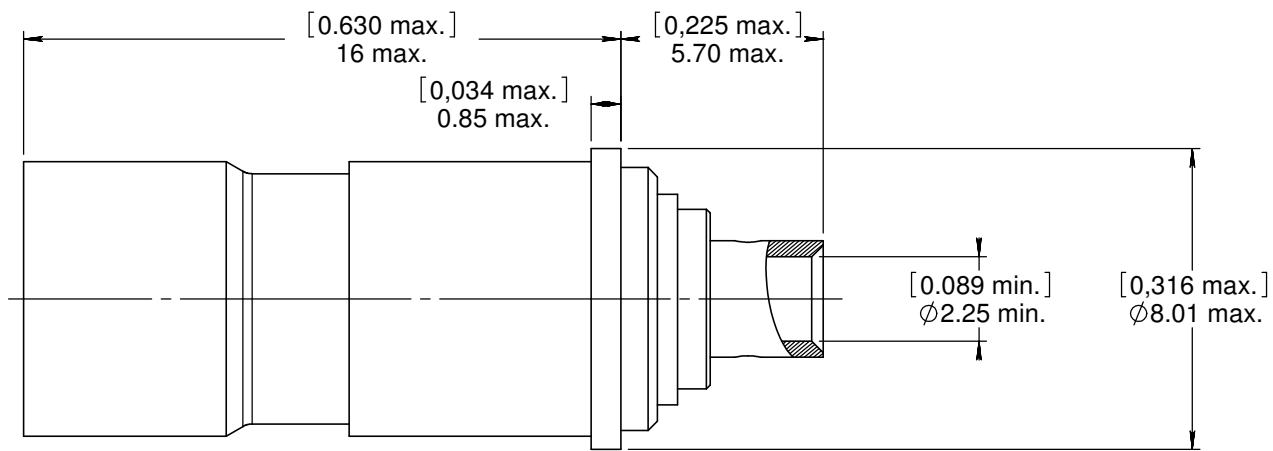


Series  
**EPXB**

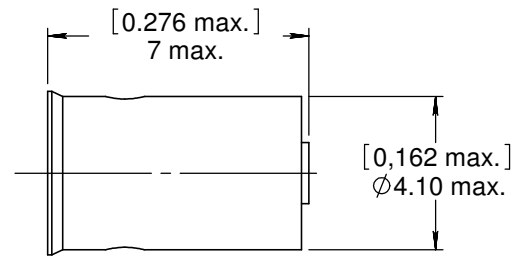
**ENVIRONMENTAL SIZE 8 SOCKET BMA CONTACT**  
FOR SHF2.4M ; UT.085 ; Harbour SS405 ; times Tflex405 ; KS1 & RG405 CABLES

Issue:  
March 29, 2010

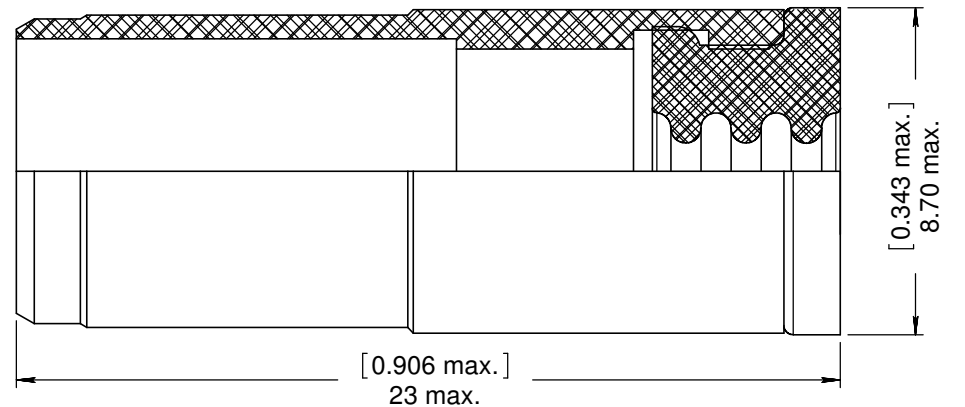
Page  
**1/1**



**CENTER CONTACT**



**INSULATOR**



**SEALING BOOT**

**MATERIALS & FINISHES :**

- OUTER CONTACT : Stainless steel, Gold over nickel, with clip in Beryllium copper, gold over nickel
- CENTER CONTACT : Copper alloy, Gold over nickel
- INSULATOR : PTFE or equivalent
- SEALING BOOT : Thermoplastic & Fluorosilicone Elastomer

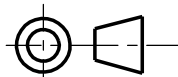
**ELECTRICAL CHARACTERISTICS :**

- IMPEDANCE : 50 Ω
- FREQUENCY : 0-18 Ghz
- VSWR = 1.05 + 0.0100 x F(Ghz) Maxi
- INSERTION LOSS = 0.03 √ F (Ghz) dB Maxi
- RF LEAKAGE = -( 90 -F (Ghz)) dB Maxi
- VOLTAGE RATING : 500 Veff Maxi
- DIELECTRIC WITHSTANDING VOLTAGE : 1500 Veff Mini
- INSULATION RESISTANCE : 5000 MΩ mini

**NOTES :**

- EXTRACTION TOOL : M81869/28-03 (RADIALL : 282 549 001) or M81869/14-06
- Contacts for SHF cables can't be sold alone but with a complete cable assembly
- MOUNTING INSTRUCTION :MICT0500002

**DIMENSIONS : mm (inch are given for information only)**



Confidential information not to be disclosed to third parties without Radiall approval. This information is given as an indication in the continual goal to improve our products, we reserve the right to make any modifications judged necessary.

4112\_9311

|                             |       |           |      |          |
|-----------------------------|-------|-----------|------|----------|
| <b>CREATION</b>             |       |           |      |          |
| <b>PEN: 1007992</b>         |       |           |      |          |
| <b>NOM: PAILOT N.</b>       |       |           |      |          |
| <b>DATE: March 29, 2010</b> | /     | /         | /    | /        |
| <b>APPR.: LE GLOAHEC</b>    | Issue | Revisions | Name | Approved |