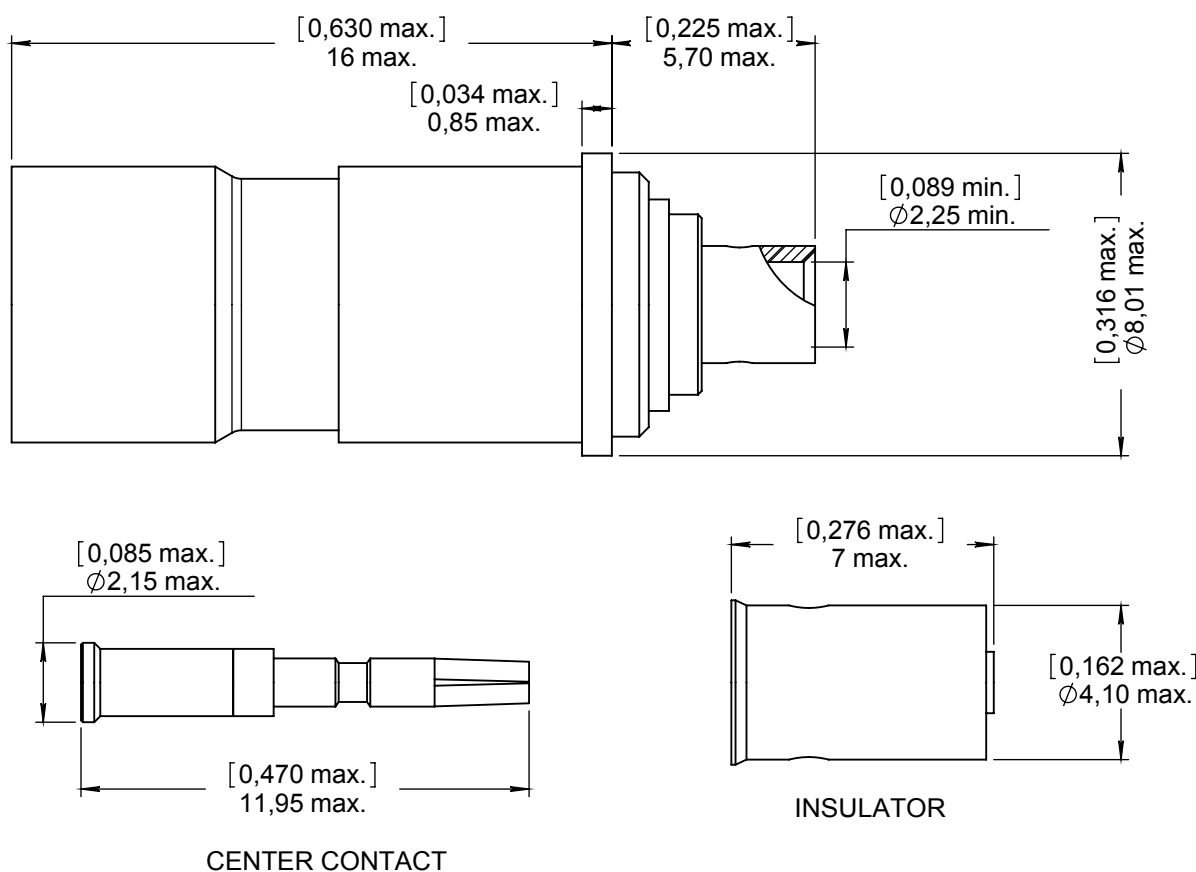


Series
EPXB

SIZE 8 SOCKET BMA CONTACT
FOR SHF2.4M ; UT.085 ; Harbour SS405 ; times Tflex405 ; KS1 & RG405 CABLES

Issue:
Aug 01, 2013

Page
1/1



MATERIALS & FINISHES :

- OUTER CONTACT : Stainless steel, Gold over nickel, With clip in Beryllium copper, gold over Nickel
- CENTER CONTACT : Copper alloy, Gold over nickel
- INSULATOR : PTFE or equivalent

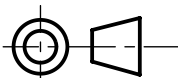
ELECTRICAL CHARACTERISTICS :

- IMPEDANCE : 50 Ω
- FREQUENCY : 0-18 Ghz
- VSWR = 1.05 + 0.0100 x F(Ghz) Maxi
- INSERTION LOSS = 0.03 \sqrt{F} (Ghz) dB Maxi
- RF LEAKAGE = -(90 -F (Ghz)) dB Maxi
- VOLTAGE RATING : 500 Veff Maxi
- DIELECTRIC WITHSTANDING VOLTAGE : 1500 Veff Mini
- INSULATION RESISTANCE : 5000 M Ω mini

NOTES :

- EXTRACTION TOOL : M81869/28-03 (RADIALL : 282 549 001) or M81869/14-06
- Contacts for SHF cables can't be sold alone but with a complete cable assembly
- MOUNTING INSTRUCTION : MICT0500002

DIMENSIONS : mm (inch are given for information only)



Estimated weight : g

CREATION				
PEN: 1007992				
NOM: PAILOT N.				
DATE: Mar. 29, 2010				
APPR.: LE GLOAHEC	Aug 01, 13	Centering boot removed	Ceberio	LeGloahec
	Issue	Revisions	Name	Approved

This document contains proprietary information and such information shall not be disclosed to any third party for any purpose whatsoever or used for manufacturing purposes without prior written agreement from RADIALL. This information is given as an indication. In the continual goal to improve our products, we reserve the right to make any modifications judged necessary.

4112_9311