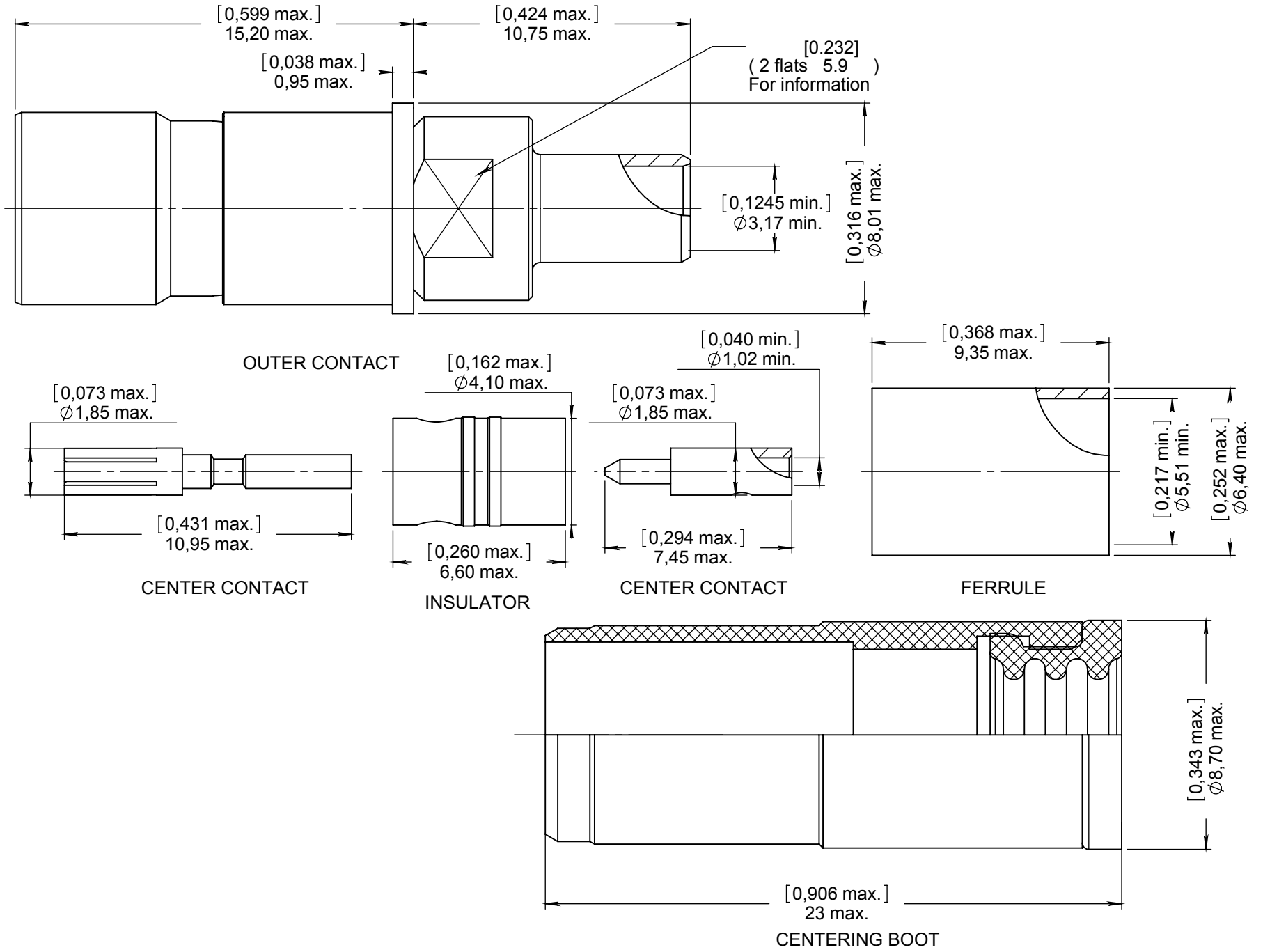


Series
EPXB

ENVIRONMENTAL SIZE 8 SOCKET BMA QUADRAX CONTACT
FOR RG142 CABLE

Issue:
Mar 23, 2012

Page
1/1



MATERIALS & FINISHES :

- OUTER CONTACT : Stainless steel, passivated, With clip in Beryllium copper, gold over nickel
- CENTER CONTACT : Copper alloy, Gold over nickel
- INSULATOR : PTFE or equivalent
- FERRULE : Brass, Nickel plated
- SEALING BOOT : Thermoplastic & Fluorosilicone Elastomer

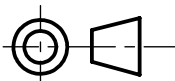
ELECTRICAL CHARACTERISTICS :

- IMPEDANCE : 50 Ω
- FREQUENCY : 0-12.4 Ghz
- VSWR = 1.15 + 0.0100 x F(Ghz) Maxi
- INSERTION LOSS = 0.03 √ F (Ghz) dB Maxi
- VOLTAGE RATING : 350 Veff Maxi
- DIELECTRIC WITHSTANDING VOLTAGE : 1000 Veff Mini
- INSULATION RESISTANCE : 5000 MΩ mini

NOTES :

- EXTRACTION TOOL : M81869/28-03 (RADIALL : 282 549 001) or M81869/14-06
- MOUNTING INSTRUCTION : MICT0500001

DIMENSIONS : mm (inch are given for information only)



Confidential information not to be disclosed to third parties without Radiall approval. This information is given as an indication. In the continual goal to improve our products, we reserve the right to make any modifications judged necessary.

4112_9311

CREATION				
PEN: 1007992				
NOM: PAILOT N.				
DATE: Mar 23, 2010	Mar 23, 12	Title updated	CHEVREAU	LE GLOAHEC
APPR.: LE GLOAHEC	Issue	Revisions	Name	Approved