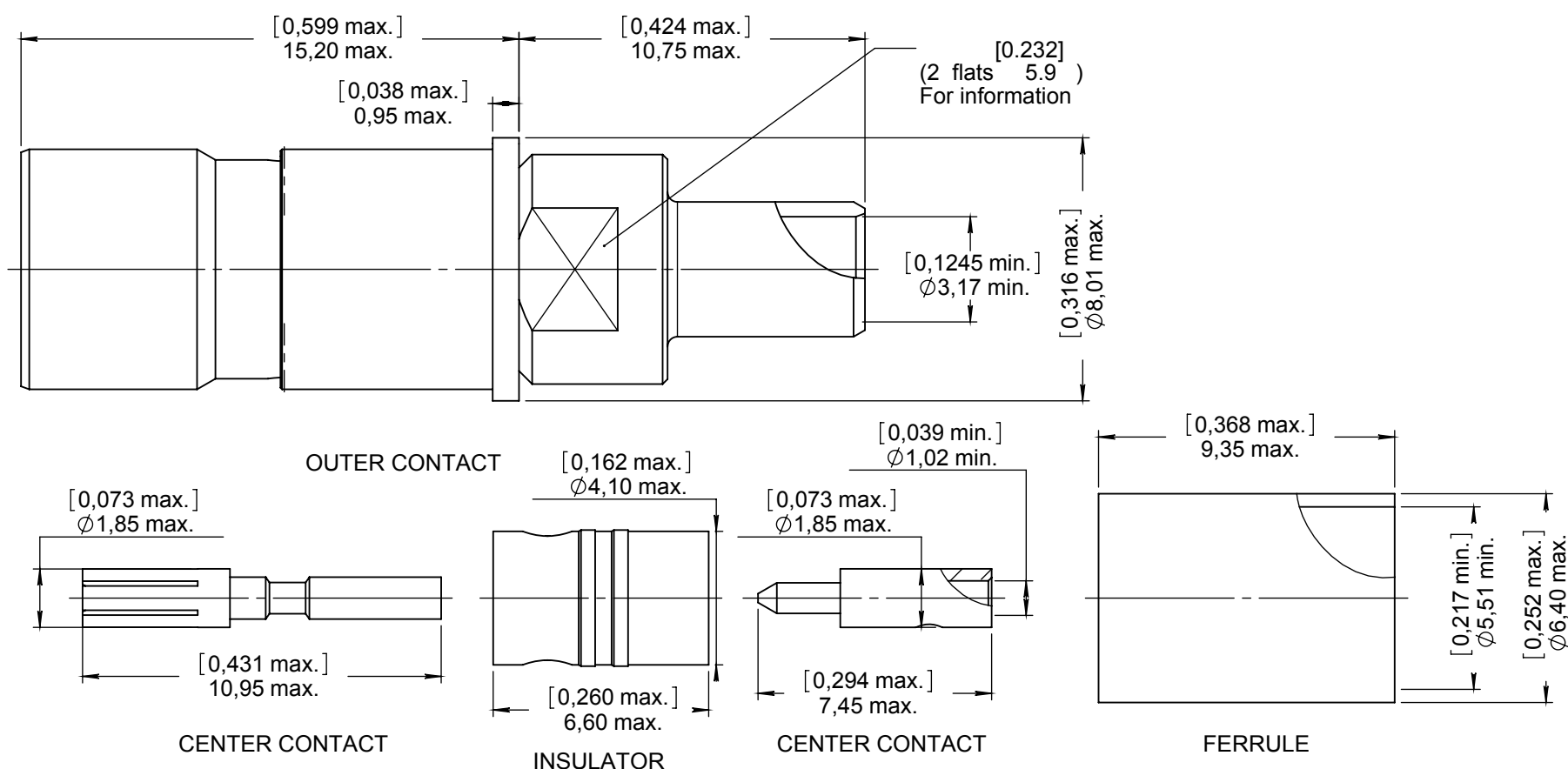


Series
EPXB

SIZE 8 SOCKET BMA QUADRAX CONTACT
FOR RG142 CABLE

Issue:
Aug 01, 2013

Page
1/1



MATERIALS & FINISHES :

- OUTER CONTACT : Stainless steel, passivated, With clip in Beryllium copper, gold over nickel
- CENTER CONTACT : Copper alloy, Gold over nickel
- INSULATOR : PTFE or equivalent
- FERRULE : Brass, Nickel plated

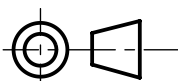
ELECTRICAL CHARACTERISTICS :

- IMPEDANCE : 50 Ω
- FREQUENCY : 0-12.4 Ghz
- VSWR = 1.15 + 0.0100 x F (Ghz) Maxi
- INSERTION LOSS = 0.03 √ F (Ghz) dB Maxi
- VOLTAGE RATING : 350 Veff Maxi
- DIELECTRIC WITHSTANDING VOLTAGE : 1000 Veff Mini
- INSULATION RESISTANCE : 5000 MΩ mini

NOTES :

- EXTRACTION TOOL : M81869/28-03 (RADIALL : 282 549 001) or M81869/14-06
- MOUNTING INSTRUCTION : MICT0500001

DIMENSIONS : mm (inch are given for information only)



Estimated weight : g

CREATION				
PEN: 1007992				
NOM: PAILOT N.				
DATE: March 23, 2010	Aug 01, 13	Centering boot removed	Ceberio	LeGloahec
APPR.: LE GLOAHEC	Aug 08, 12	Title corrected	Chevreau	LeGloahec
	Issue	Revisions	Name	Approved

This document contains proprietary information and such information shall not be disclosed to any third party for any purpose whatsoever or used for manufacturing purposes without prior written agreement from RADIALL. This information is given as an indication. In the continual goal to improve our products, we reserve the right to make any modifications judged necessary.

4112_9311