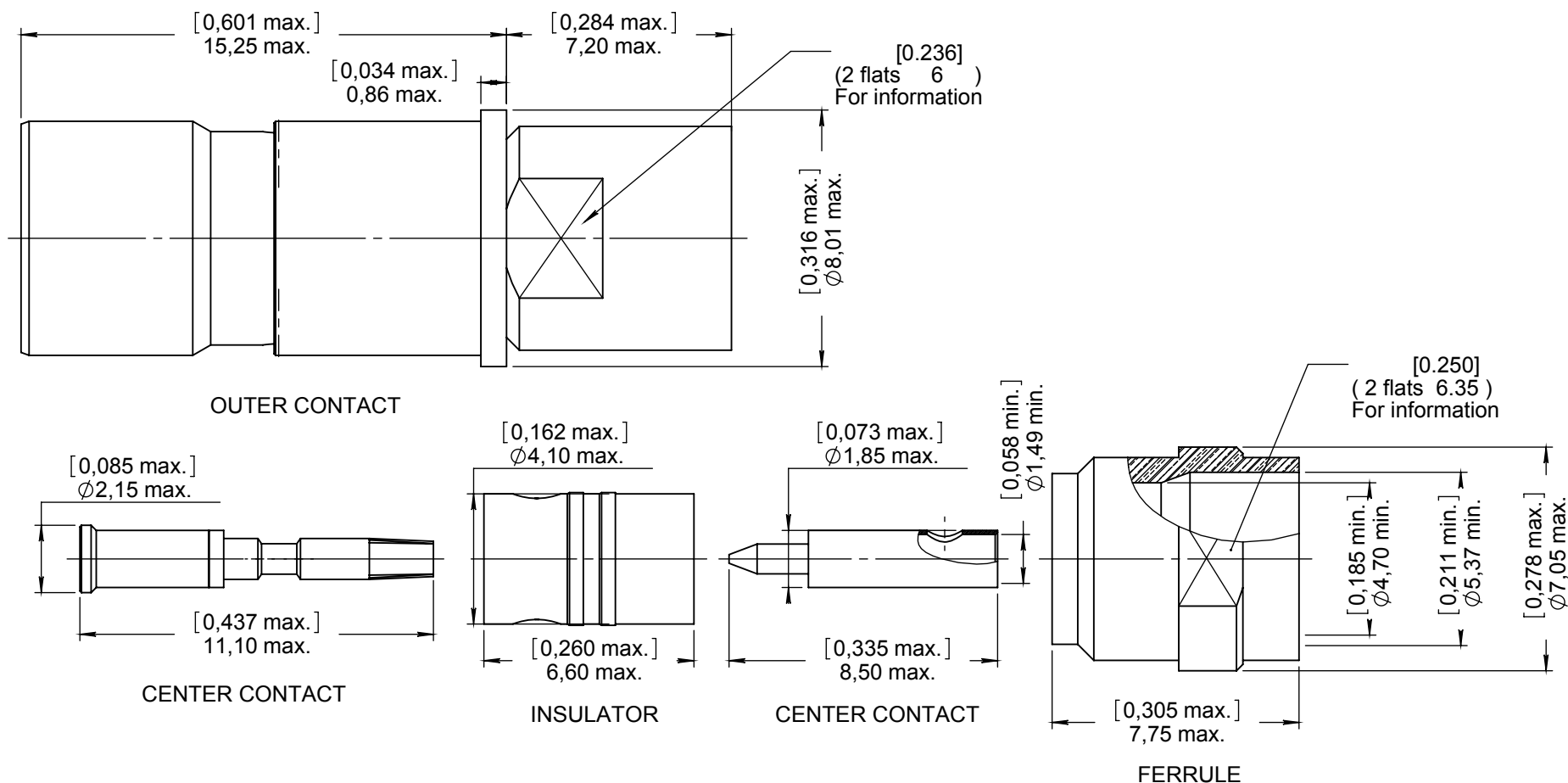


Series
EPXB

SIZE 8 SOCKET BMA QUADRAX CONTACT
FOR SHF5 ; SHF5M ; SHF5MAF-2 & SHF5L1 VERT CABLES

Issue:
Aug 01, 2013

Page
1/1



MATERIALS & FINISHES :

- OUTER CONTACT : Stainless steel, passivated with Clip in Beryllium copper, gold over nickel
- CENTER CONTACT : Copper alloy, Gold over nickel
- INSULATOR : PTFE or equivalent
- FERRULE : Brass, gold over Nickel

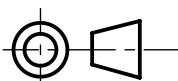
ELECTRICAL CHARACTERISTICS :

- IMPEDANCE : 50 Ω
- FREQUENCY : 0-18 Ghz
- VSWR = 1.05 + 0.0100 x F (Ghz) Maxi
- INSERTION LOSS = 0.03 √ F (Ghz) dB Maxi
- RF LEAKAGE = -(80 -F (Ghz)) dB Maxi
- VOLTAGE RATING : 335 V_{eff} Maxi
- DIELECTRIC WITHSTANDING VOLTAGE : 1000 V_{eff} Mini
- INSULATION RESISTANCE : 5000 MΩ mini

NOTES :

- EXTRACTION TOOL : M81869/28-03 (RADIALL : 282 549 001) or M81869/14-06
- Contacts for SHF cables can't be sold alone but with a complete cable assembly

DIMENSIONS : mm (inch are given for information only)



Estimated weight : . g

| | | | | |
|----------------------|------------|------------------------|----------|-----------|
| CREATION | | | | |
| PEN: 1007992 | | | | |
| NOM: PAILOT N. | | | | |
| DATE: March 23, 2010 | Aug 01, 13 | Centering boot removed | Ceberio | LeGloahec |
| APPR.: LE GLOAHEC Y | Aug 08, 12 | Title corrected | Chevreau | LeGloahec |
| | Issue | Revisions | Name | Approved |