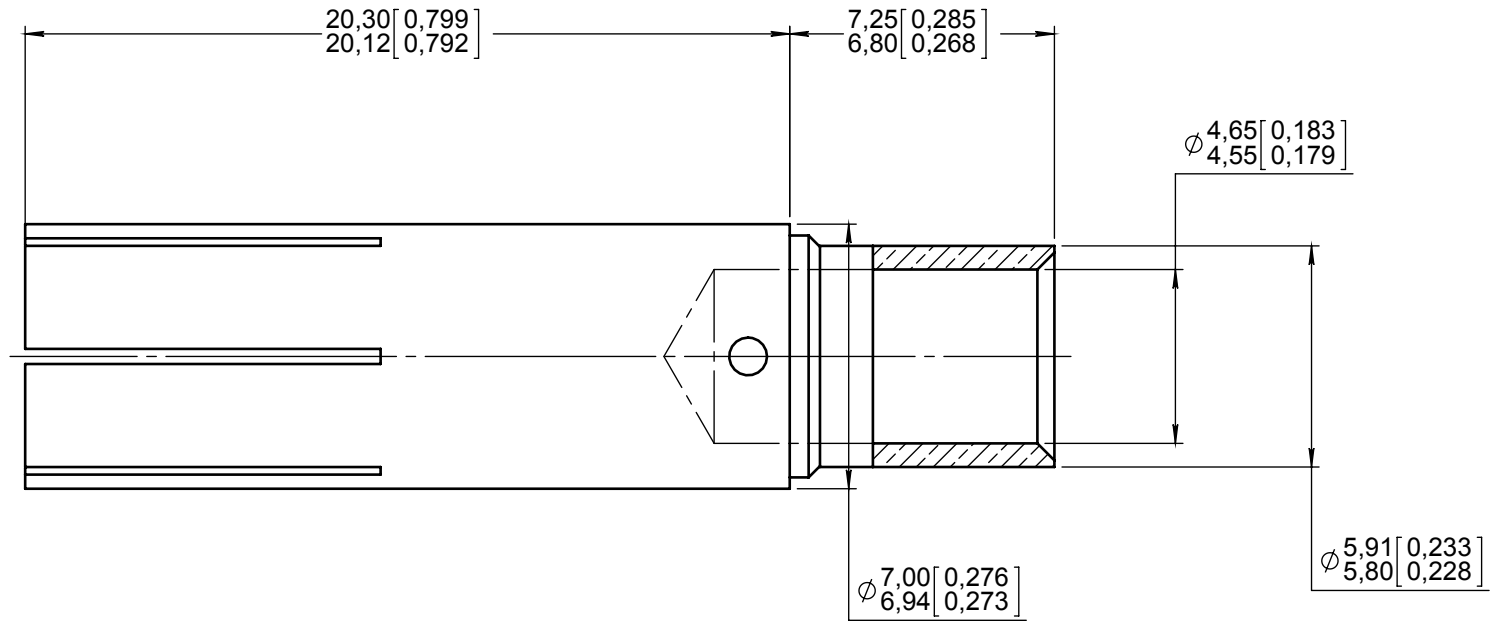


Series
DSX

POWER SOCKET CONTACT FOR SIZE 5 CAVITY
FOR AWG 8 CABLE

Issue:
Mar. 07, 2014

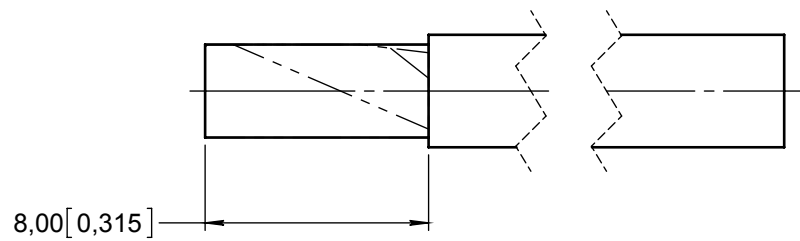
Page
1/1



MATERIAL :
BERYLLIUM COPPER PER ASTM-B-196

FINISH :
PLATING .00005 INCH OF GOLD PER SAE AMS-2422 OVER NICKEL PER AMS 2403

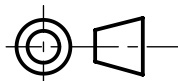
CABLE STRIPPED LENGTH



TOOLING :
CRIMPING TOOL : RADIALL 282296 - SELECTOR SET 8 (DANIELS M300BT)
POSITIONER : 282557

EXTRACTION TOOL : RADIALL 282946 (M81969/28_01)

DIMENSIONS : mm (inch are given for information only)



Estimated weight : 4.20 g

CREATION				
PEN: /				
NOM: MACARI	Mar. 07, 14	Updated and delete for AWG 10 cable	Moutault	Dupuis
DATE: Nov. 21, 1988	July. 07, 97	Add selector set 5 for awg 10 cable	Gombert	/
APPR.: DECOSTA	18/01/95	Redrawn by CAD	Macari	Decosta
	Issue	Revisions	Name	Approved

This document contains proprietary information and such information shall not be disclosed to any third party for any purpose whatsoever or used for manufacturing purposes without prior written agreement from RADIAL. This information is given as an indication. In the continual goal to improve our products, we reserve the right to make any modifications judged necessary.

4112_9311