

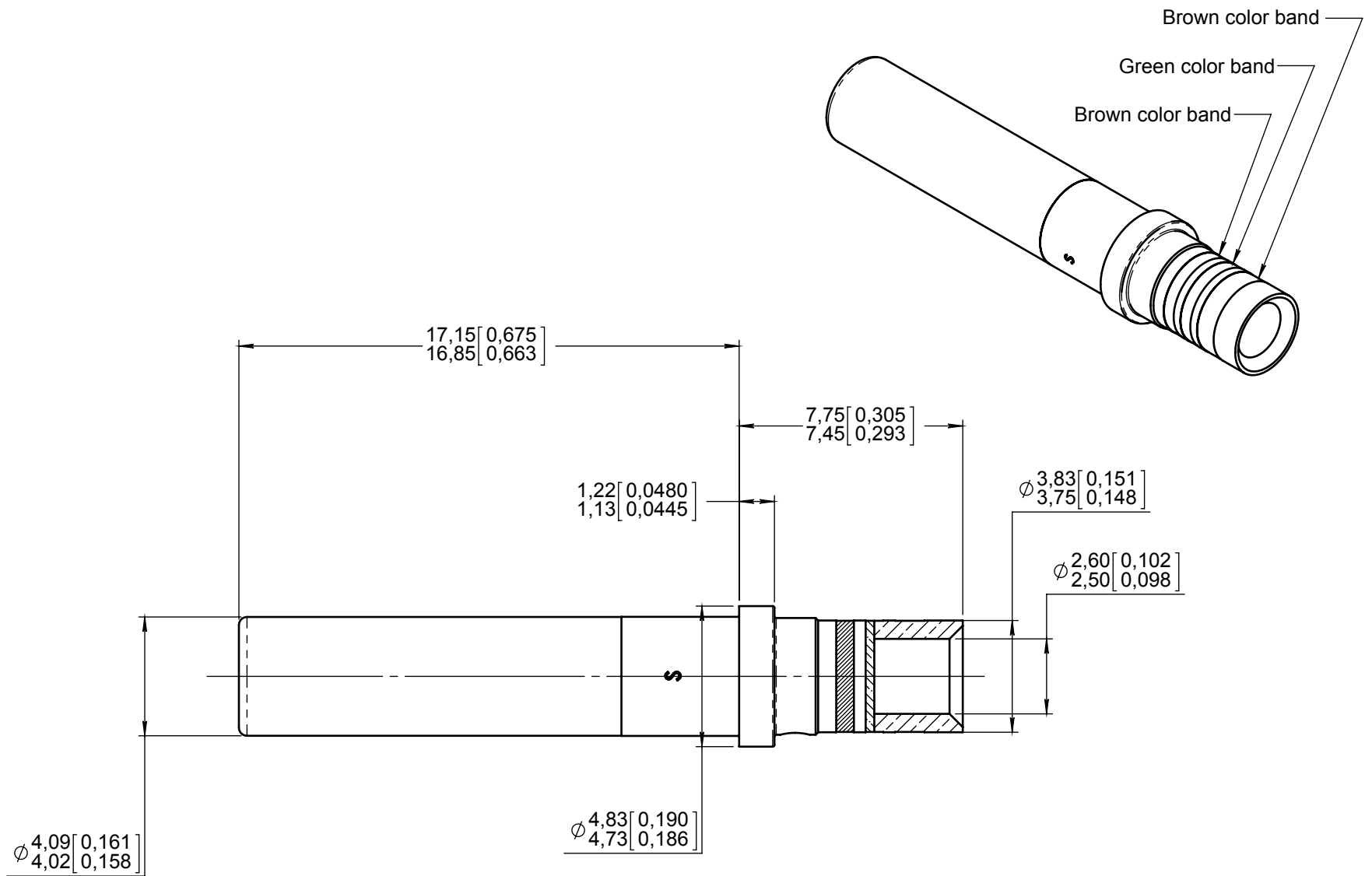
Series
DSX

SIZE 12 CRIMP SOCKET CONTACT
WIRE AWG 12-14
COMPLIANT TO M39029/12-151

Issue:
Nov. 26, 2013

Page
1/1

This document contains proprietary information and such information shall not be disclosed to any third party for any purpose whatsoever or used for manufacturing purposes without prior written agreement from RADIALL. This information is given as an indication. In the continual goal to improve our products, we reserve the right to make any modifications judged necessary.



MATERIAL AND FINISH :

BODY CONTACT : BERYLLIUM COPPER PER ASTM-B-196 HEAT TREATED HARDNESS 380-420 HV
 BARREL ANNEALED HARDNESS 120-140 HV
 PLATING : .00005 INCH OF GOLD PER SAE AMS-2422 OVER NICKEL PER SAE AMS-QQ-N-290
 PROTECTIVE SLEEVE : PASSIVATED STAINLESS STEEL AISI 305

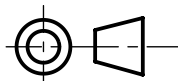
WIRES ACCOMODATED : AWG 12-14
 INSULATOR DIAMETER : .135 MAX (3.43)
 STRIP LENGHT : .236 (6,00)

TOOLING :
 CRIMPING TOOL : M22520/1-01 (RADIALL 282 291)
 SELECTOR POSITION : 8 FOR AWG 12
 7 FOR AWG 14

POSITIONER : M22520/1-02 (RADIALL 282 972)

INSERTION/EXTRACTION TOOL : M81969/28-02 (RADIALL 282 547)

DIMENSIONS : mm (inch are given for information only)



Estimated weight : 1.37 g

CREATION				
PEN:				
NOM: FALETTI				
DATE: Mar, 22, 1985				
APPR.: /	Nov. 26, 13	Add M39029/12-151 in the title	Moutault	Dupuis
	Issue	Revisions	Name	Approved