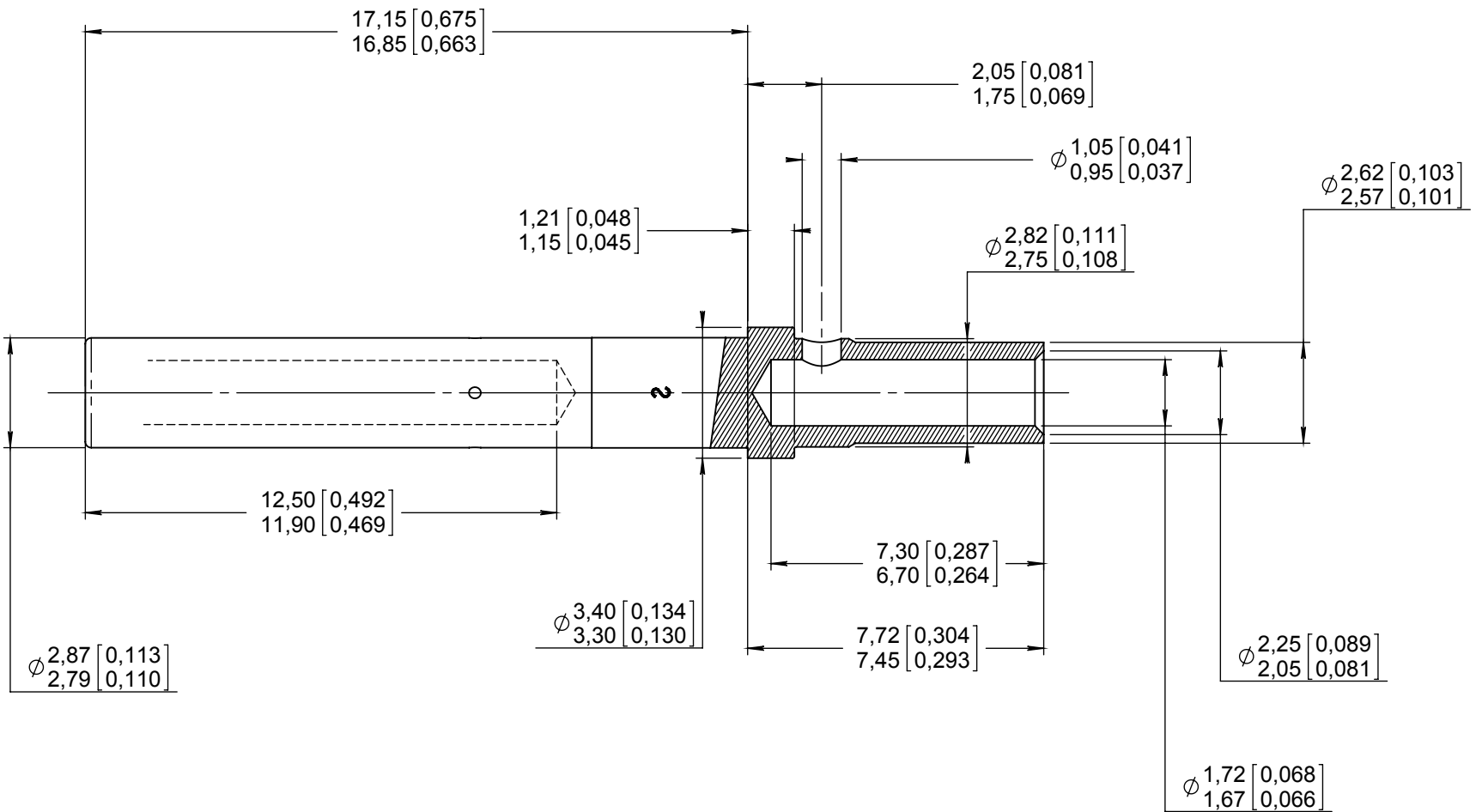
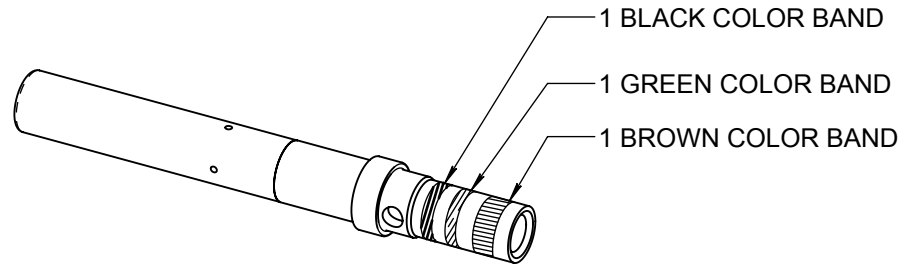


Series  
DSX

SIZE 16 CRIMP RECEPTACLE CONTACT  
WIRE SIZE AWG 16-18-20  
COMPLIANT TO M39029/12-150

Issue:  
Dec. 14, 2015

Page  
1/1



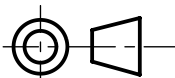
MATERIAL :  
- BODY CONTACT : NICKEL COPPER HEAT TREATED HARDNESS < 200 HV  
BARREL ANNEALED HARDNESS 60-80 HV  
- PROTECTIVE SLEEVE : PASSIVATED STAINLESS STEEL AISI 305  
FINISH :  
- BODY CONTACT : GOLD PER MIL-G-45204 TYPE I OR II GRADE C OR D CLASS 1 50 MICROINCHES OVER NICKEL PLATE PER QQ-N-290

WIRES ACCOMODATED : AWG 16 - 18 AND 20  
INSULATION DIAMETER : .103 (2,60) MAX  
STRIP LENGTH : .236 (6)

TOOLING  
CRIMPING TOOL : M22520/1-01  
SELECTOR POSITION : 6 FOR AWG 16  
5 FOR AWG 18  
4 FOR AWG 20

POSITIONER : M22520/1-02

DIMENSIONS : mm (inch are given for information only)



Estimated weight : 0.80 g

CREATION	Issue	Revisions	Name	Approved
PEN: /	Dec. 14, 15	TDS updated	Moutault	Legendre
NOM: FALETTI	Dec. 03, 13	Add M39029/12-148 in the title	Moutault	Dupuis
DATE: Mar. 22, 1985	Aug. 05, 08	Modified position color band	VALGRESY	/
APPR.: /	Dec. 15, 04	REDRAWN IN CAD	VALGRESY	GOMBERT

616330EN

RADIALL PROPRIETARY INFORMATION