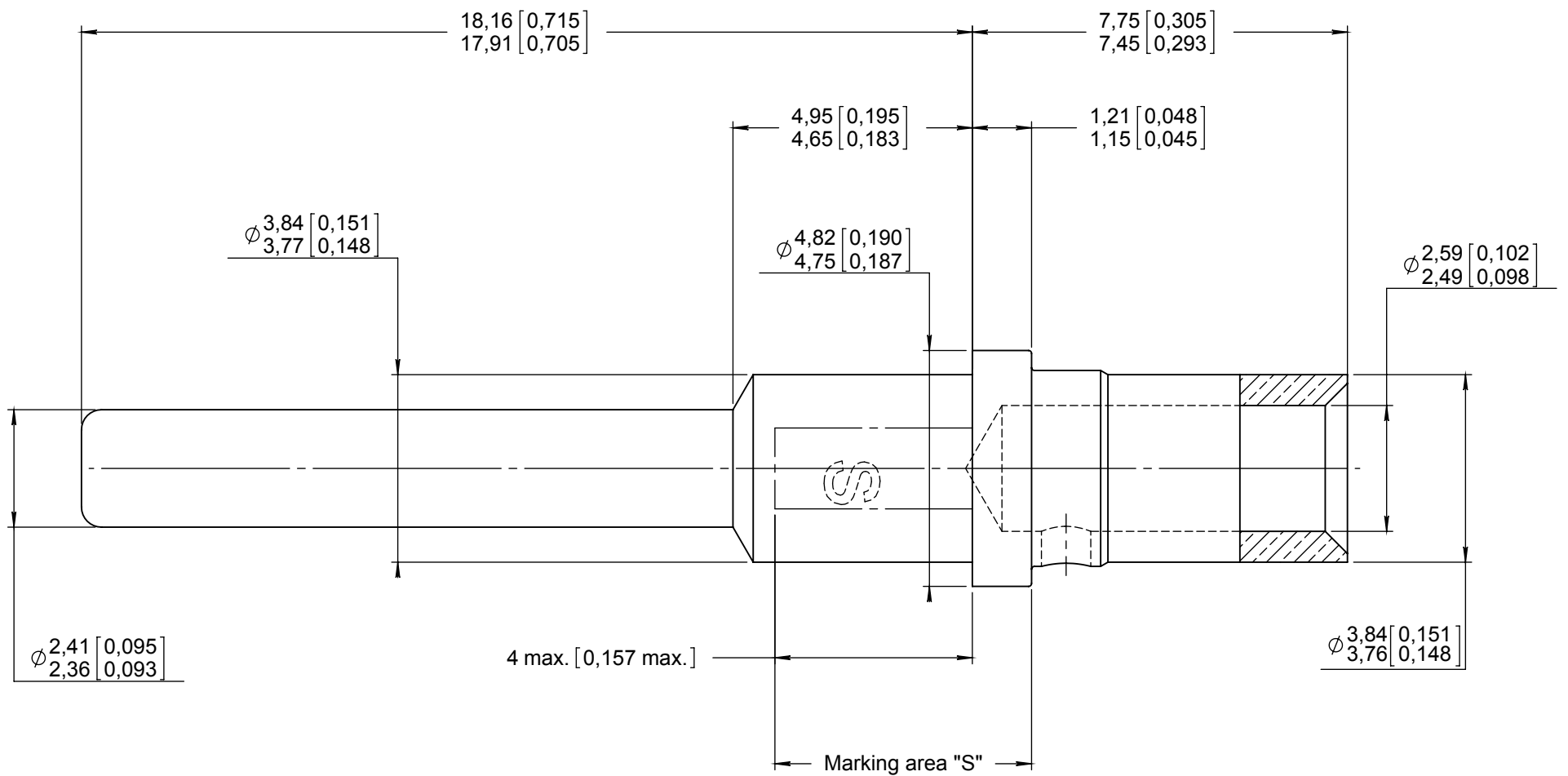
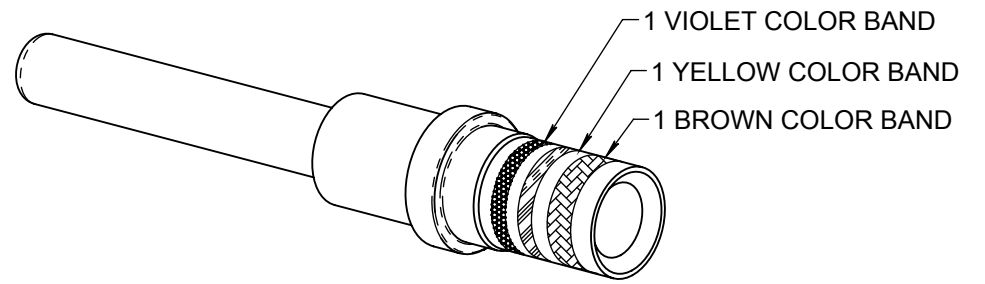


Series  
DSX

SIZE 12 CRIMP PIN CONTACT  
WIRE SIZE AWG 12-14  
COMPLIANT TO M39029/11-147

Issue:  
Dec. 03, 2013

Page  
1/1



MATERIAL : BRASS PER ASTM B 16 OR ASTM B 453 OR EN 12164

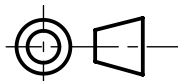
FINISH : GOLD PER MIL-G-45204 TYPE I OR II GRADE C OR D CLASS 1 50 MICROINCHES OVER NICKEL PLATE PER QQ-N-290

WIRES ACCOMODATED : AWG 12 AND 14  
INSULATOR DIAMETER : .135 MAX (3,43)  
STRIP LENGHT : .236 (6,00)

TOOLING  
CRIMPING TOOL : M22520/1-01 (RADIALL 282 291)  
SELECTOR POSITION : 8 FOR AWG 12  
7 FOR AWG 14  
POSITIONER : M22520/1-02 (RADIALL 282 972)

INSERTION/EXTRACTION TOOL : M81969/28-02 (RADIALL 282 547)  
SPL RADIALL EXT. 282 945

DIMENSIONS : mm (inch are given for information only)



Estimated weight : 1.44 g

CREATION				
PEN: /				
NOM: FALETTI	Dec. 03, 13	Add M39029/11-147 in the title	Moutault	Dupuis
DATE: Jan. 10, 1980	08/04/08	Redrawn - Modified position color band 1,17 (.044) --> 1,15 (.045) Ø 4,83 (.190) --> Ø 4,82 (.190) Ø 3,78 (.149) --> Ø 3,77 (.148)	VALGRESY	/
APPR.: /	Issue	Revisions	Name	Approved

616240EN

RADIALL PROPRIETARY INFORMATION

This document contains proprietary information and such information shall not be disclosed to any third party for any purpose whatsoever or used for manufacturing purposes without prior written agreement from RADIALL. This information is given as an indication. In the continual goal to improve our products, we reserve the right to make any modifications judged necessary.

4112\_9311