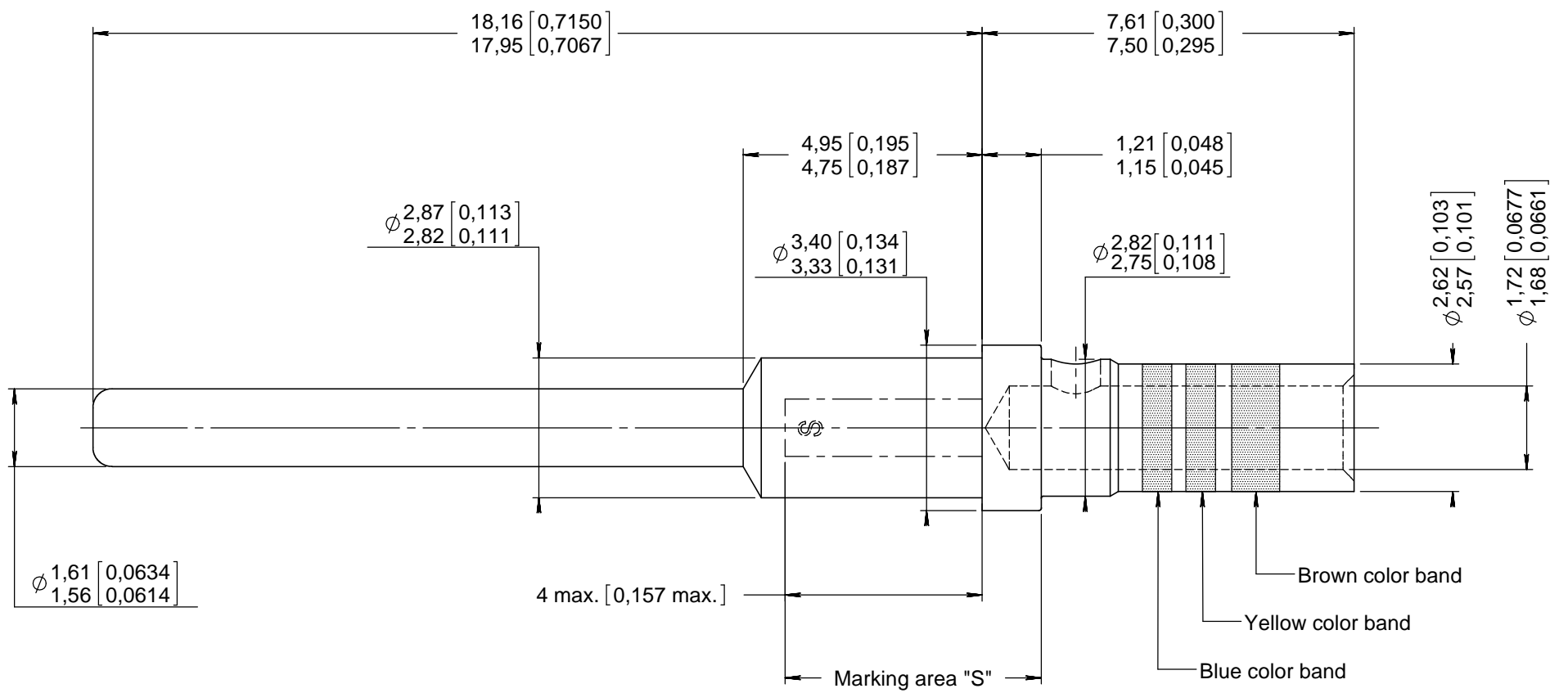
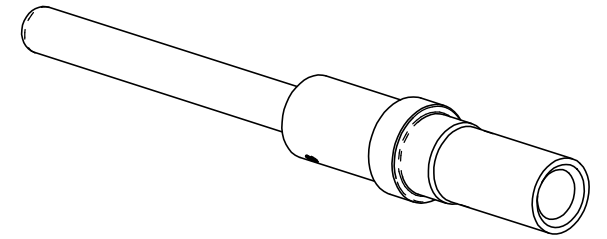


Series
DSX

SIZE 16 CRIMP PIN CONTACT
WIRE SIZE AWG 16-18-20
COMPLIANT TO M39029/11-146

Issue:
Dec. 03, 2013

Page
1/1



MATERIAL :
BODY CONTACT : BRASS PER ASTM B 16 OR ASTM B 453 OR EN 12164

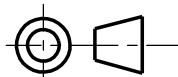
FINISH :
GOLD PER MIL-G-45204 TYPE I OR II GRADE C OR D CLASS 1 50 MICROINCHES OVER NICKEL PLATE PER QQ-N-290

WIRES ACCOMODATED : AWG 16-18-20
INSULATOR DIAMETER : .103 MAX (2,61)
STRIP LENGHT : .236 (6,00)

TOOLING
CRIMPING TOOL : M22520/1-01 (RADIALL 282 291)
SELECTOR POSITION : 6 FOR AWG 16
5 FOR AWG 18
4 FOR AWG 20
POSITIONER : M22520/1-02 (RADIALL 282 972)

INSERTION/EXTRACTION TOOL : M81969/1-03 (RADIALL 282 546)
SPL RADIALL INS. 282 929 / EXT. 282 892

DIMENSIONS : mm (inch are given for information only)



Estimated weight : 0,71 g

| CREATION | | | | |
|---------------------|-------------|---|-------------|----------|
| PEN: | | | | |
| NOM: FALETTI | Dec. 03, 13 | Updated | Moutault | Dupuis |
| DATE: Mars 22, 1985 | 01/06/12 | Dimensions updated | Branjonneau | Dupuis |
| APPR.: / | 31/07/08 | Redrawn - Modified position color band 7,45 (.705 --> .293) - 1,17 (.044) --> 1,15 (.045) ϕ 1,61 (.0635 --> .0634) - ϕ 1,56 (.0615 --> .0614) | VALGRESY | / |
| | Issue | Revisions | Name | Approved |