



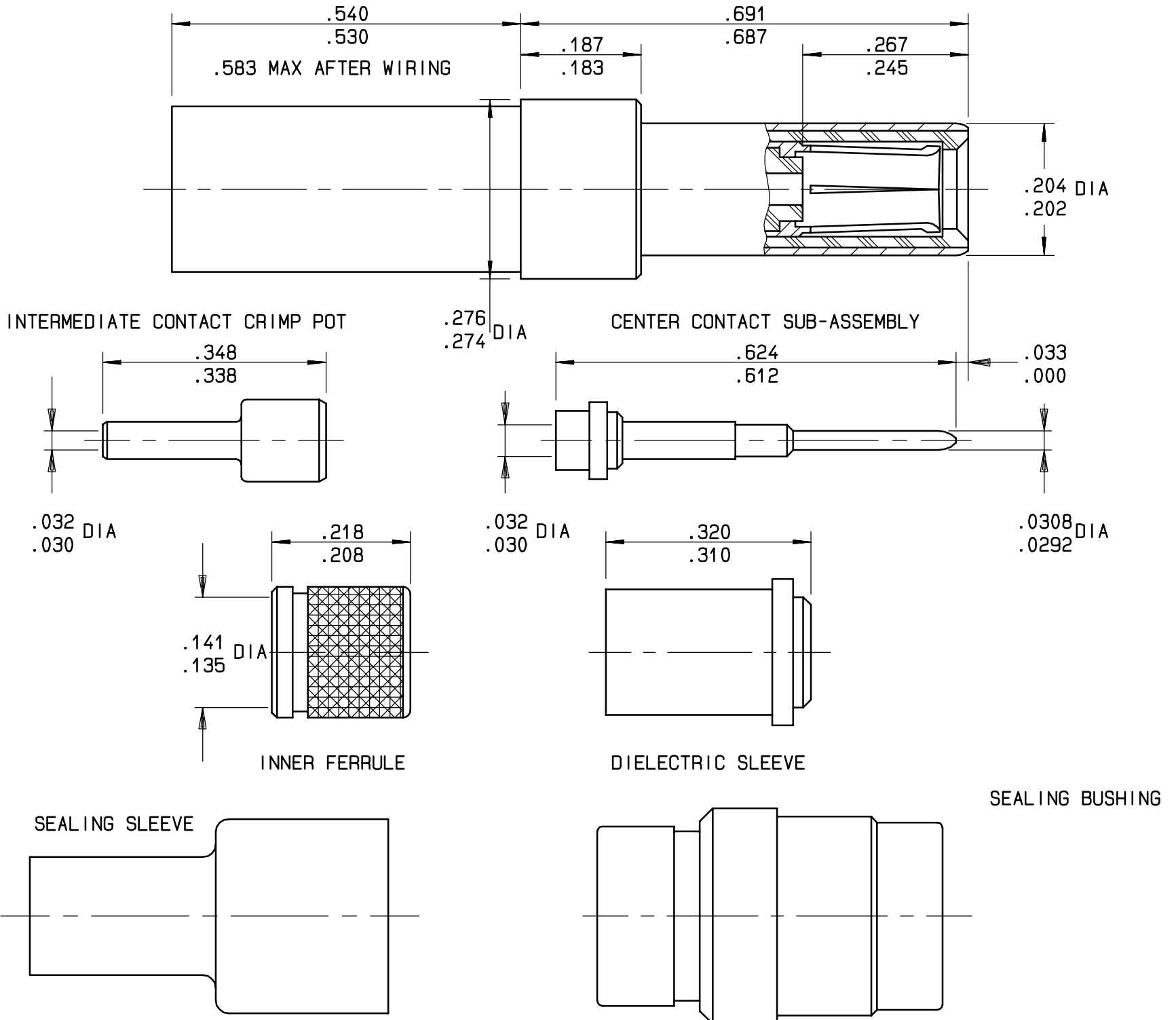
Series  
DSX

SIZE 9 CONCENTRIC TWINAX PIN CONTACT  
FOR MILC17/17600002 CABLE  
FOR 32C4 and 32T4 INSERTS (ONLY)

Issue:  
DEC. 15, 2004

Page  
1 / 1

OUTER AND INTERMEDIATE CONTACT SUB-ASSEMBLY



MATERIAL AND FINISH

ALL METAL PARTS: COPPER ALLOY\_GOLD OVER NICKEL  
DIELECTRIC PARTS: TEFLON  
SEALING BUSHING: NYLON  
SEALING SLEEVE: ELASTOMER SILICONE

TOOLS

CENTER CONTACT: CRIMPING TOOL M22520/2\_01 (RADIAL P/N 282281)  
SELECTOR SET: 5  
POSITIONER: RADIAL P/N 282576  
INTERMEDIATE CONTACT CRIMP POT: CRIMPING TOOL M22520/2\_01 (RADIAL P/N 282281)  
SELECTOR SET: 5  
POSITIONER: RADIAL P/N 282574  
OUTER CONTACT: CRIMPING TOOL M22520/5\_01 (RADIAL P/N 282293)  
DIE M22520/5\_45 (RADIAL P/N 282236) DIE CLOSURE B .218/FLATS  
EXTRACTION TOOL M81969/28\_01 (RADIAL P/N 282946)  
WIRING SEE SPECIFICATION RP3364

This information is given as an indication. In the continual goal to improve our products, we reserve the right to make any modifications judged necessary.

4112-9610

CREATION				
PEN: /				
NOM: JP MACARI	DEC 15 04	SUPPRESS REVISION OF MAR 12 03	B.Gombert	C.Lahoreau
DATE: MAY29.91	Mar 12 03	Modification of sealing bushing.	L.Garcia	C.Lahoreau
APPR.: G CARTESSE	MAY04 00	WIRING SEE SPEC RP3364 WAS RP5038	GOMBERT	Jacob
	Issue	Revisions	Name	Approved