

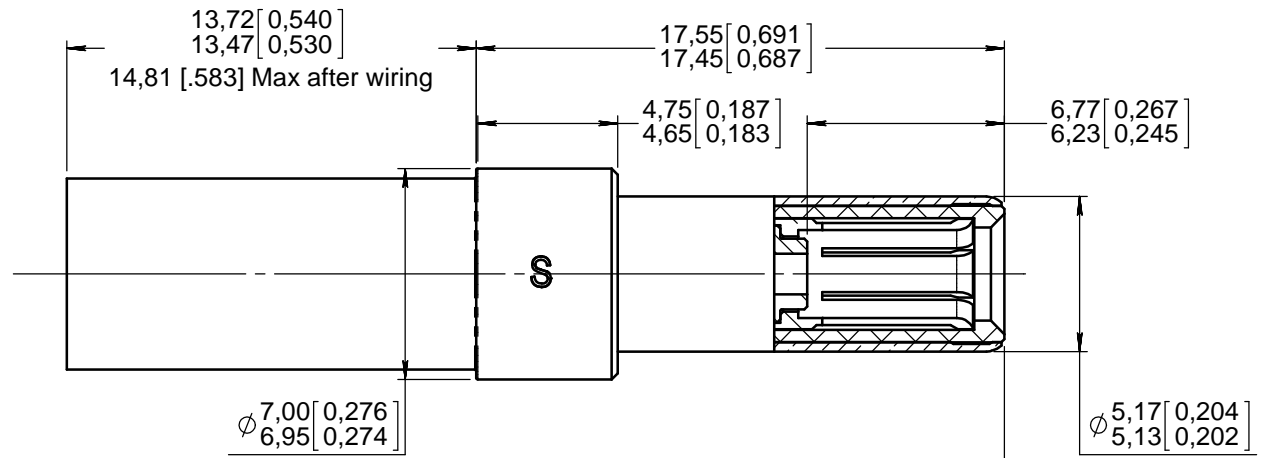
Series
DSX

NONENVIRONMENTAL SIZE 9 CONCENTRIC TWINAX PIN CONTACT
FOR MIL-C-17/17600002 CABLE

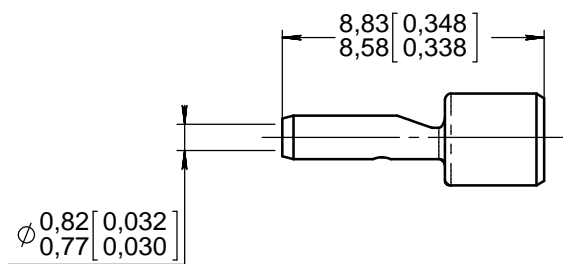
Issue:
Aug. 06, 2012

Page
1/1

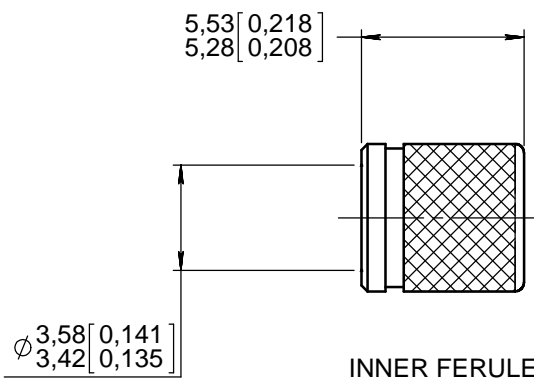
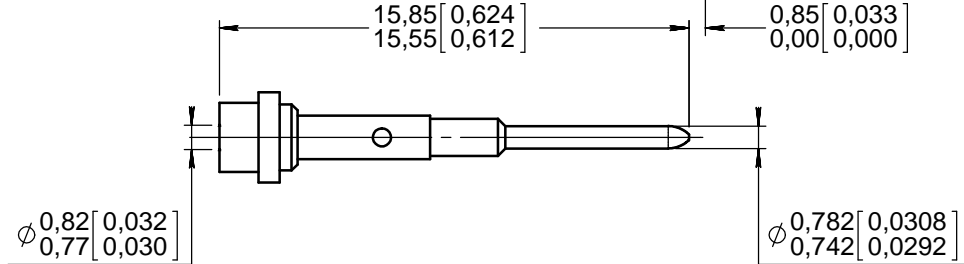
OUTER AND INTERMEDIATE CONTACT SUB-ASSEMBLY



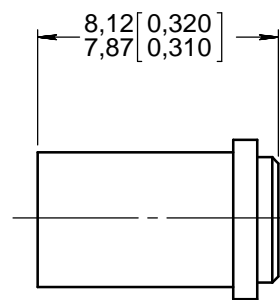
INTERMEDIATE CONTACT CRIMP POT



CENTER CONTACT SUB-ASSEMBLY



INNER FERULE



DIELECTRIC SLEEVE

MATERIAL AND FINISH :

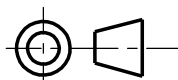
ALL METAL PARTS : COPPER ALLOY - GOLD OVER NICKEL
DIELECTIC PARTS : TEFLON

TOOLS :

CENTER CONTACT : CRIMPING TOOL M22520/2_01 (RADIALL P/N : 282281)
SELECTOR SET : 5
POSITIONER : RADIALL P/N 282576
INTERMEDIATE CONTACT CRIMP POT : CRIMPING TOOL M22520/2_01 (RADIALL P/N : 282281)
SELECTOR SET : 5
POSITIONER : RADIALL P/N 282574
OUTER CONTACT : CRIMPING TOOL M22520/5_01 (RADIALL P/N : 282293)
DIE M22520/5_45 (RADIALL P/N : 282236) DIE CLOSURE B : 5.54 [.218] / FLATS
EXTRACTION TOOL M81969/28_01 (RADIALL P/N : 282946)

WIRING INSTRUCTIONS : SEE SPECIFICATION : RP3364

DIMENSIONS : mm (inch are given for information only)



Estimated weight : 3.50 g

CREATION					
	PEN: /				
	NOM: MACARI				
	DATE: May. 29, 1991	Aug. 06, 12	Updated on SdW	Moutault	Dupuis
	APPR.: CARTESSE	May. 04, 01	Drawing visional - Wiring see spec RP3364 was RP5036	Gomber	/
	Issue	Revisions	Name	Approved	

This document contains proprietary information and such information shall not be disclosed to any third party for any purpose whatsoever or used for manufacturing purposes without prior written agreement from RADIALL. This information is given as an indication, in the continual goal to improve our products, we reserve the right to make any modifications judged necessary.

4112_9311