

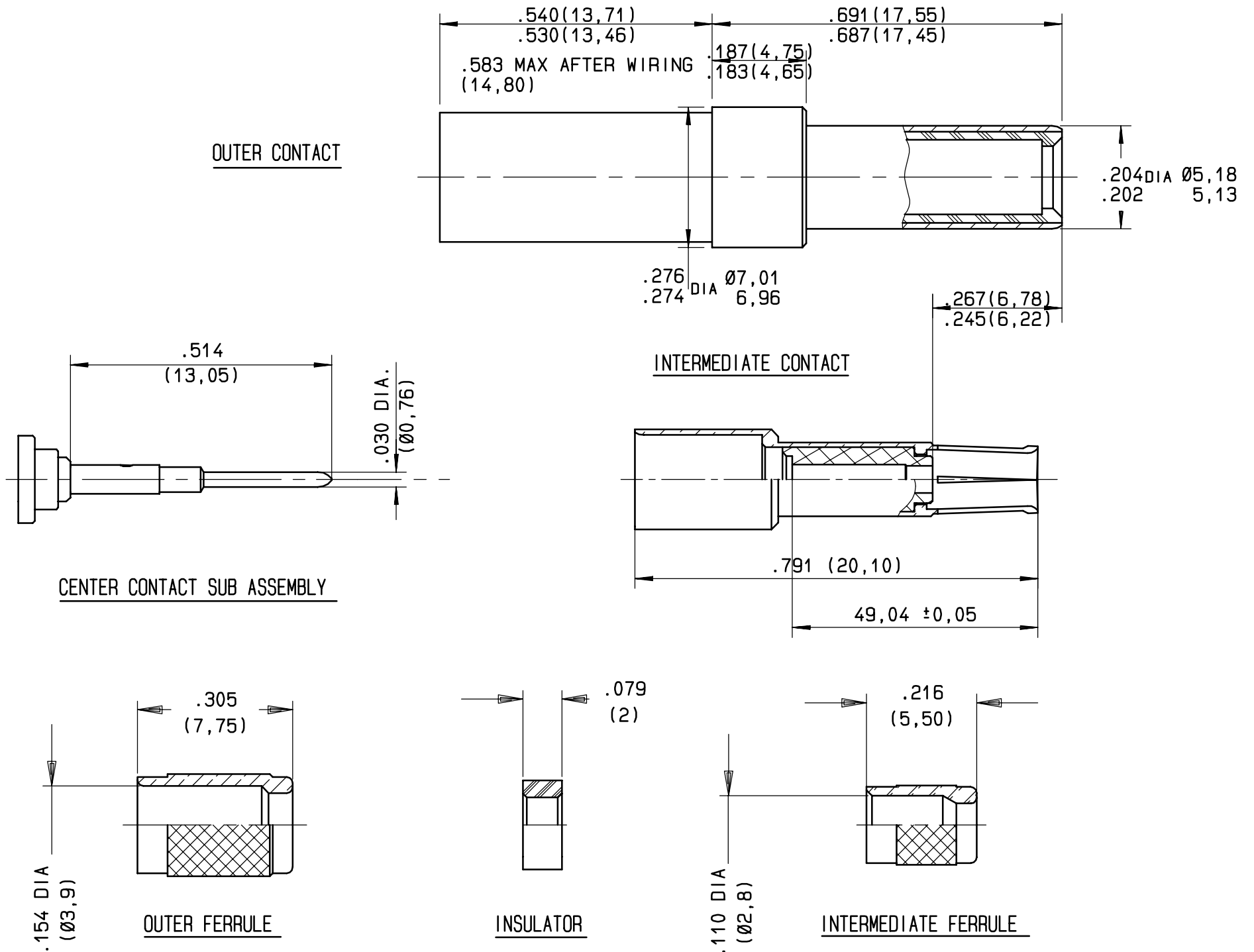


Series  
DSX

SIZE 9 TRIAXIAL PIN CONTACT  
FOR PAN 6595 XM , AXON RGX 179 AND RAYCHEM EPD26467Q CABLE

Issue:  
03 JUNE 02

Page  
1 / 1



**MATERIAL AND FINISH**  
 OUTER, INTERMEDIATE AND CENTER CONTACT: COPPER-ALLOY .000050 INCH OF GOLD OVER NICKEL UNDERPLATE  
 INSULATORS: TEFLON  
 FERRULES: BRASS. GOLD OVER NICKEL UNDERPLATE

TOOLS MUST BE ORDERED SEPARATELY

CENTER CONTACT: CRIMPING TOOL M22520/2-01 (RADIALL P/N 282281)  
 SELECTOR SET: 5  
 POSITIONER RADIALL P/N 282576  
 INTERMEDIATE CONTACT: CRIMPING TOOL M22520/5-01 (RADIALL P/N 282293)  
 DIE M22520/5-05 (RADIALL P/N 282246) DIE CLOSURE B)  
 OUTER CONTACT: CRIMPING TOOL M22520/5-01 (RADIALL P/N 282293)  
 DIE M22520/5-05 (RADIALL P/N 282246) DIE CLOSURE A)

EXTRACTION TOOL M81969/28-01 (RADIALL 282946)

WIRING: SEE SPECIFICATION RP7228

This information is given as an indication. In the continual goal to improve our products, we reserve the right to make any modifications judged necessary.

4112\_9311

CREATION				
PEN:				
NOM: B.GOMBERT				
DATE: 3/06/02				
APPR.: JP MACARI				
Issue	Revisions	Name	Approved	

**RADIALL**<sup>®</sup>

101, rue Philibert Hoffmann Z.I.Ouest  
 93116 ROSNY/BOIS Cedex (France)  
 Tl.: 01 49 35 35 35  
 Fax.: 01 48 54 63 63  
 Tlax: RADIA 235220