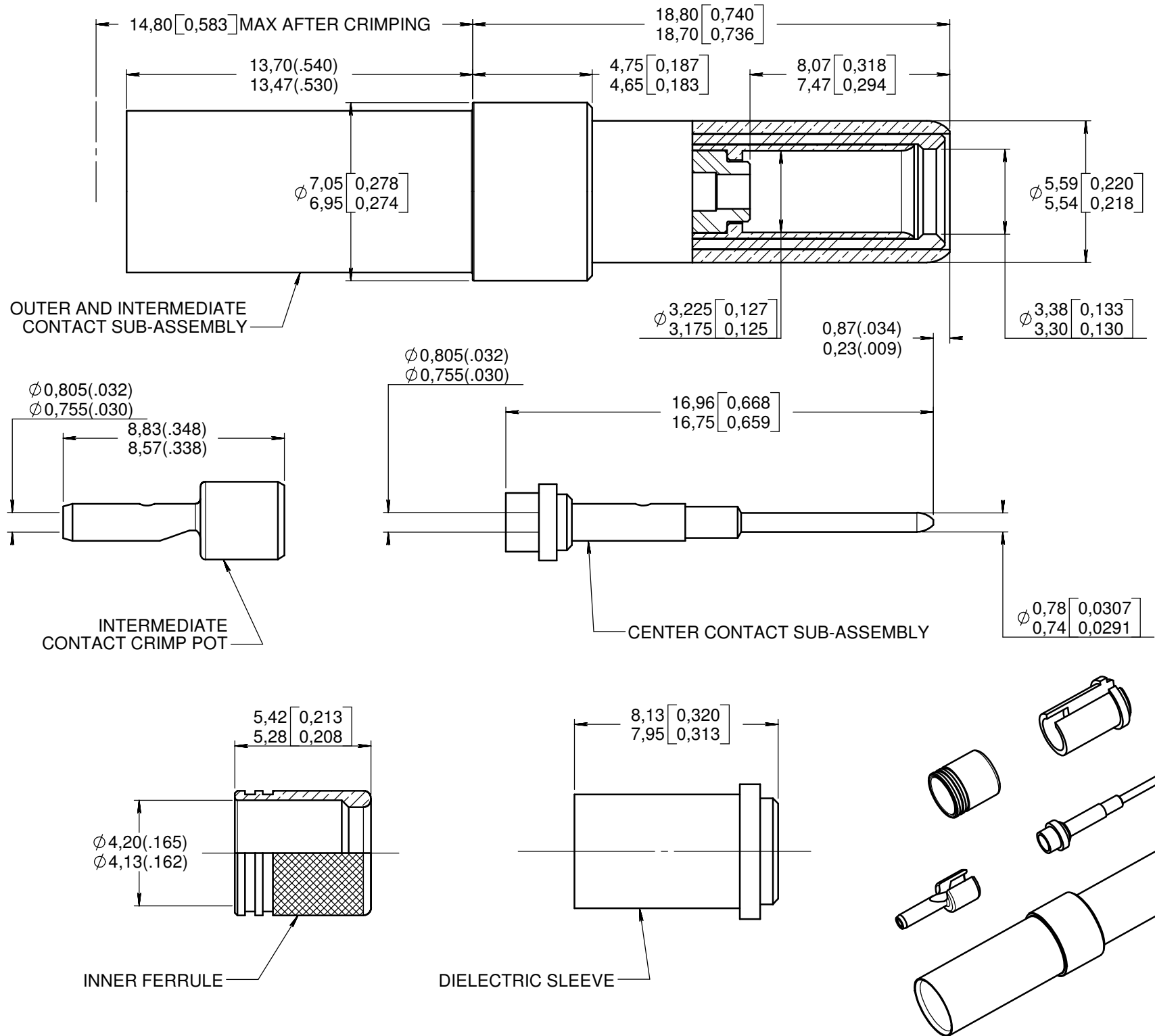


Series
DSX

SIZE 5 CONCENTRIC TWINAX PIN CONTACT
FOR EN3375-004 AND RAYCHEM 10614-24 CABLE

Issue:
JAN 08, 2008

Page
1/1



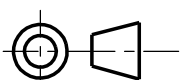
MATERIAL:
 OUTER AND INTERMEDIATE CONTACTS : BERYLLIUM COPPER PER ASTM B 196
 CENTER AND INTERMEDIATE CRIMP POT CONTACTS: LEADED NICKEL COPPER (C97)
 - DIELECTRICS PTFE PER ASTM D 1710 OR EQUIVALEN

FINISH:
 - ALL METAL PARTS : PLATING .00005 INCH OF GOLD PER SAE AMS-2422 OVER NICKEL PER SAE AMS-QQ-N-290

TOOLS: (MUST BE ORDERED SEPARATLY)
 CENTER CONTACT: CRIMPING TOOL: M22520/2-01 (RADIALL 282 281)
 POSITIONER: RADIALL 282 576 SELECTOR 7
 INTERMEDIATE CONTACT CRIMP POT: CRIMPING TOOL: M22520/2-01 (RADIALL 282 281)
 POSITIONER: RADIALL 282 574 SELECTOR 7
 OUTER CONTACT: CRIMPING TOOL: M22520/5-01 (RADIALL 282 293)
 DIE: M22520/5-45 (RADIALL 282 236) DIE CLOSURE B
 EXTRACTION TOOL: M81969/28-01 (RADIALL 282 946)

WIRING INSTRUCTION SEE RP56373

DIMENSIONS : mm (inch are given for information only)



This information is given as an indication. In the continual goal to improve our products, we reserve the right to make any modifications judged necessary.

CREATION				
PEN: M070004814A M070400091A				
NOM: MACARI JP.				
DATE: Sept. 07, 2007	JAN 08, 08	ADDED RAYCHEM 10614-24 CABLE	MONDOT	BROCHET
APPR.: BROCHET	NOV 12, 07	MODIFICATION OF COTATIONS	MONDOT	BROCHET
	Issue	Revisions	Name	Approved