

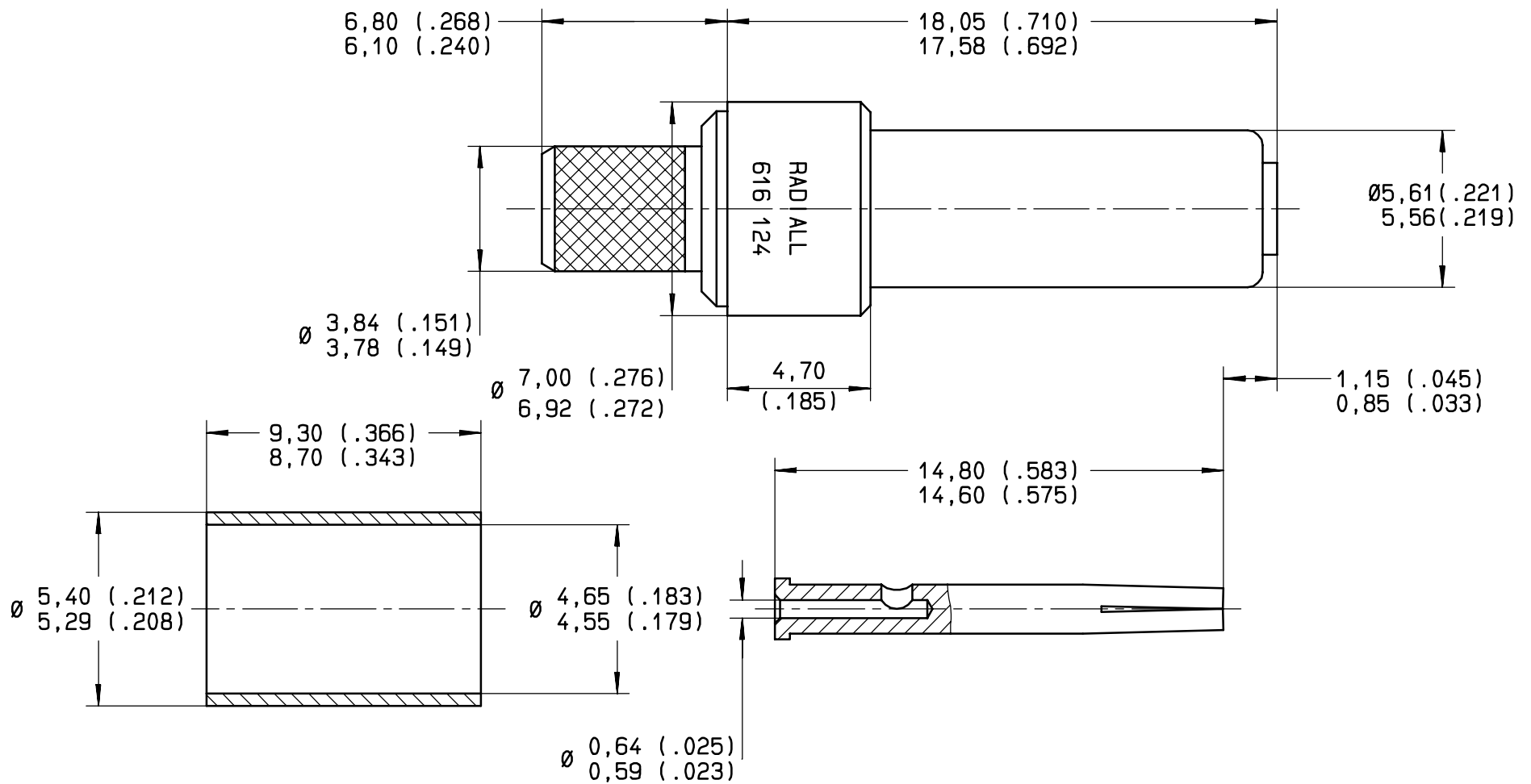


Series
DSX

SIZE 5 COAXIAL PIN CONTACT
FOR RG180.RG195 AND PFLX175-075-01 CABLES

Issue:
04 JUNE 02

Page
1 / 1



MATERIAL:

OUTER CONTACT, CRIMP BARREL AND FERRULE: COPPER ALLOY
PER QQ-B-626

CENTER CONTACT: BERYLLIUM COPPER PER ASTM-B-194

INSULATOR: PTFE PER ASTM-D-1710 OR EQUIVALENT

FINISH:

ALL METALIC PARTS: .00005 OF GOLD PER MIL-G-45204 TYPE I OR II
GRADE C OR D, CLASS 1 OVER NICKEL PER QQ-N-290

DESIGN REQUIREMENTS

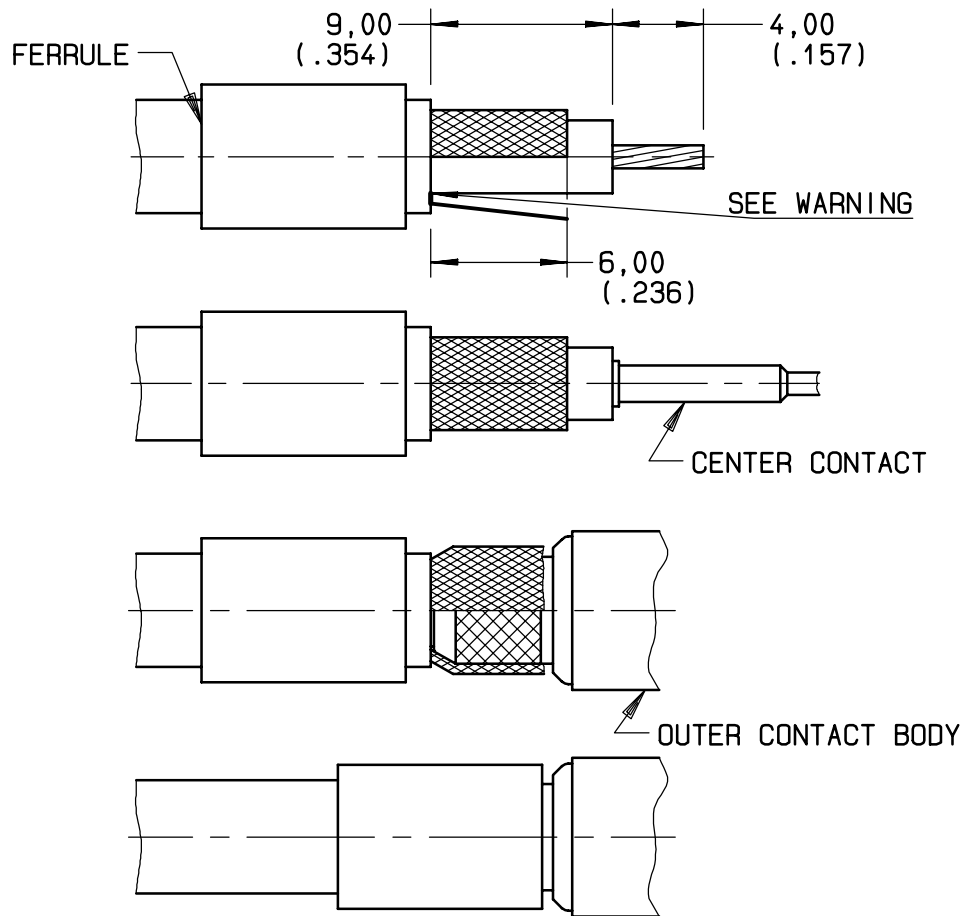
TEMPERATURE RANGE: -65° C TO +165° C

IMPEDANCE: 50 OHMS NOMINAL

VSWR: 1.30:1 FREQUENCY RANGE : DC - 1500 MHZ

DIELECTRIC WITHSTANDING VOLTAGE: 750 VRMS

AT SEA LEVEL



WIRING

STRIP CABLE TO DIMENSIONS SHOWN ABOVE

SLIDE FERRULE OVER THE CABLE

WARNING : CUT ALUMINUM MYLAR WITH
PFLX175-075-01 CABLE

SLIDE CENTER CONTACT BARREL OVER CABLE CONDUCTOR
CONTACT SHOULDER BUTTING AGAINST CABLE DIELECTRIC
CRIMP CENTER CONTACT

CRIMPING TOOL M22520/2-01 RADIAL 282281

POSITIONER : RADIAL 282974

SELECTOR ON : 6 FOR RG180 AND RG195 CABLES

SELECTOR ON : 7 FOR PFLX175-075-01 CABLE

FLARE BRAID, INSERT CENTER CONTACT INTO THE OUTER
CONTACT BODY

PLACE BRAID OVER KNURLED PART OF OUTER CONTACT BODY

SLIDE FERRULE OVER BRAID UNTIL IT BUTTS AGAINST
SHOULDER OF OUTER CONTACT BODY

CRIMP FERRULE

CRIMPING TOOL: M22520/5-01 RADIAL 282293

DIE: M22520/5-05 RADIAL 282246

HEX.B 4,5 (.177) /FLATS

This information is given as an indication. In the continual goal to improve our products, we reserve the right to make any modifications judged necessary.

4112-9610

CREATION
PEN: /
M020400035A
NOM: A.MARIE
DATE: 12 OCT.78
APPR.: .	04JUNE02	ADD.PFLX175-075-01 CABLE AND WIRING	GOMBERT	JP MACARI
	Issue	Revisions	Name	Approved