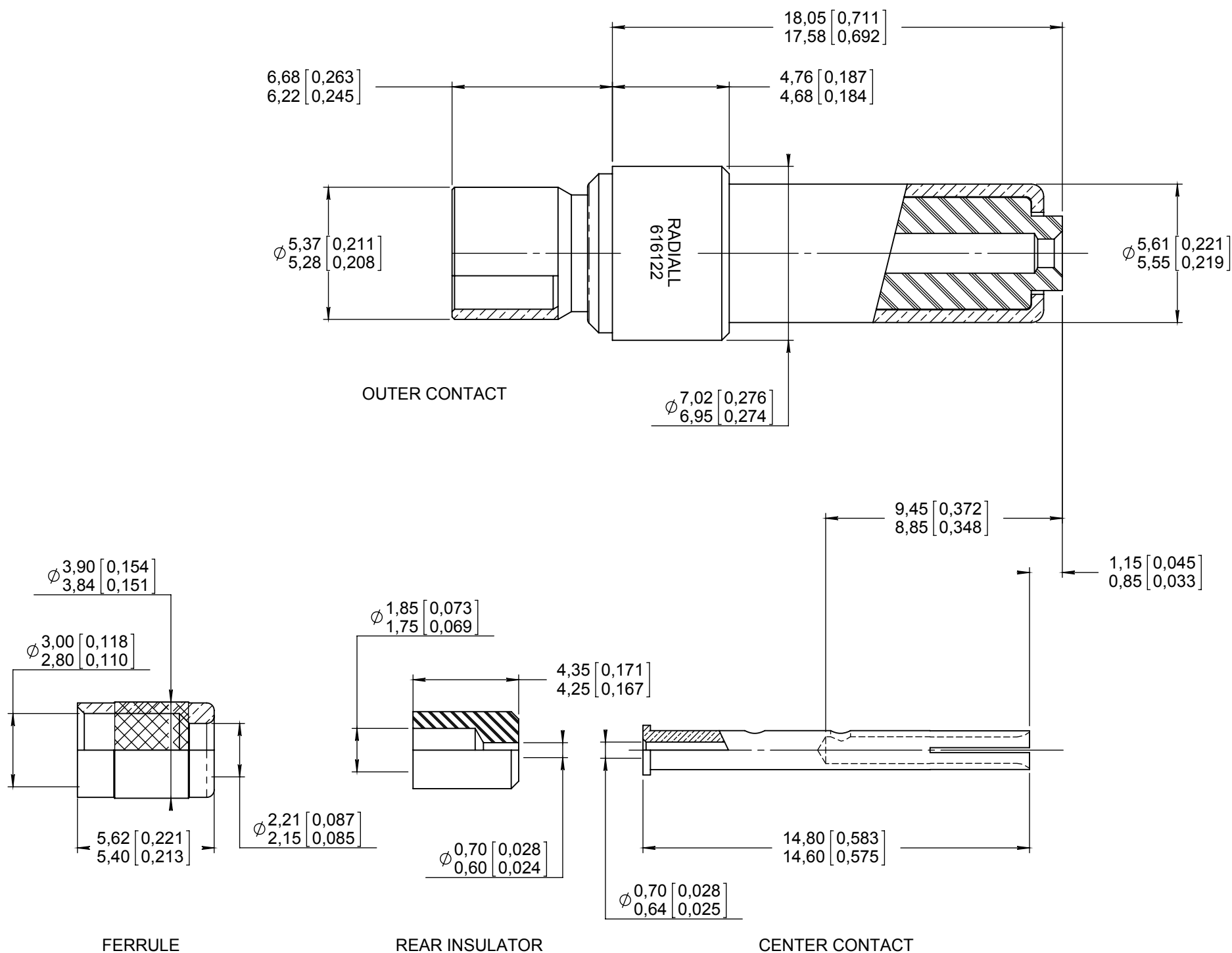


Series
DSX

NONENVIRONMENTAL SIZE 5 CRIMP COAX PIN CONTACT
FOR RG174, RG179, RG188, RG316, KX22, FILOTEX,
122715, ASNE 0690 AND CAC875 CABLES

Issue:
Dec. 04, 2013

Page
1/1



MATERIAL :
 OUTER CONTACT : BRASS PER ASTM B 16 OR ASTM B 453 OR EN 12164
 INSULATOR : PTFE PER ASTM-D-1710 OR EQUIVALENT
 CENTER CONTACT : BERYLLIUM COPPER PER ASTM-B-196
 FERRULE: BRASS PER ASTM B 16 OR ASTM B 453 OR EN 12164
 CRIMP BARREL: BRASS PER ASTM B 16 OR ASTM B 453 OR EN 12164

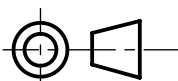
FINISH:
 ALL METALIC PARTS: .00005 OF GOLD PER SAE AMS-2422 OVER NICKEL PER AMS 2403

DESIGN REQUIREMENTS :
 TEMPERATURE RANGE: -65°C to +125°C
 IMPEDANCE : 50 OHMS NOMINALE
 DIELECTRIC WITHSTANDING VOLTAGE: 750 V rms AT SEA LEVEL
 VSWR: 1.3 from DC TO 1500 MHz

EXTRACTION TOOL: RADIALL 282 946 (M81659/28-01) (MUST BE ORDER SEPARATLY)

WIRING INSTRUCTIONS PER : RP 7575

DIMENSIONS : mm (inch are given for information only)



Estimated weight : 3.30 g

CREATION				
PEN: /				
NOM: /	Dec. 04, 13	Updated and add CAC875 cable	Moutault	Dupuis
DATE: June. 21, 1989	Sep. 24, 09	REDRAWN - SUPPRESS DETAIL OF WIRING INSTRUCTION UPDATED - ADDED WIRING INSTRUCTION RP7575	VALGRESY	BROCHET
APPR.:	Issue	Revisions	Name	Approved

This document contains proprietary information and such information shall not be disclosed to any third party for any purpose whatsoever or used for manufacturing purposes without prior written agreement from RADIALL. This information is given as an indication. In the continual goal to improve our products, we reserve the right to make any modifications judged necessary.

4112_9311