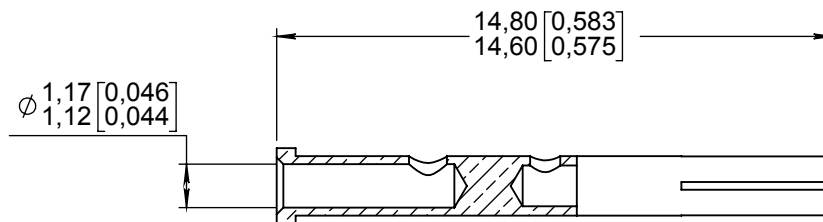
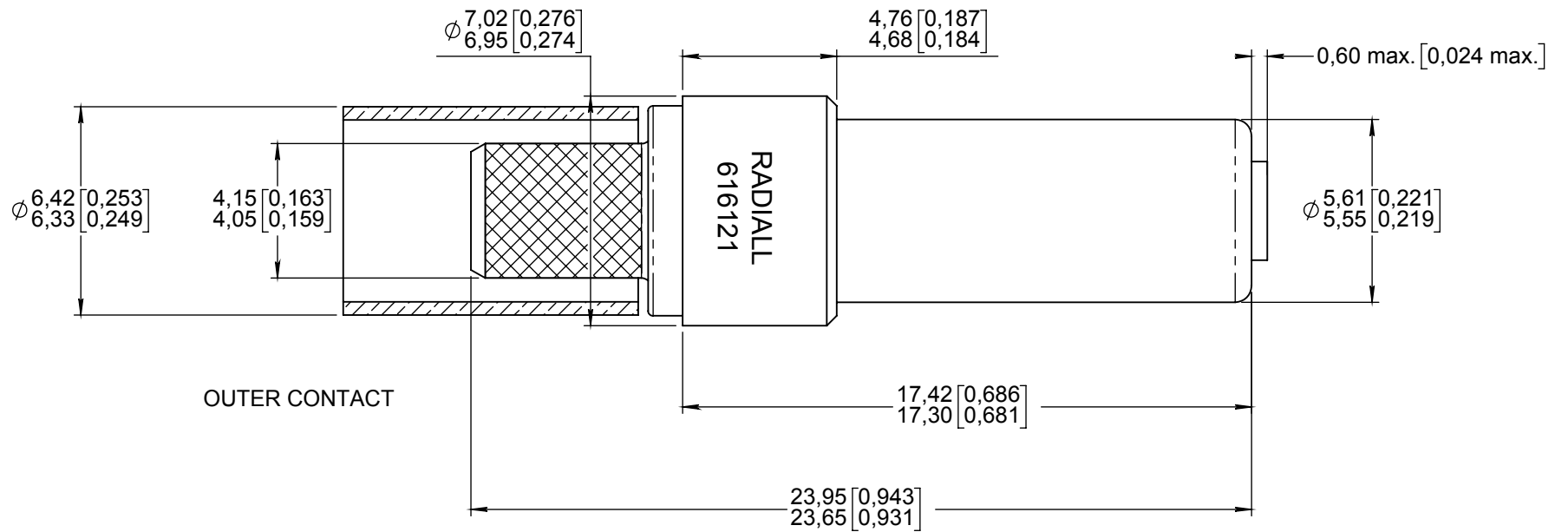


**Series
DSX**
**NONENVIRONMENTAL SIZE 5 CRIMP COAX PIN CONTACT
FOR RG142, RG223 AND KX23 CABLES**
**Issue:
Oct. 22, 2018**
**Page
1/1**

CENTER CONTACT
MATERIAL :

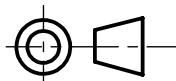
OUTER CONTACT : BRASS
 INSULATOR : PTFE
 CENTER CONTACT : BERYLLIUM COPPER
 FERRULE : BRASS
 CRIMP BARREL: BRASS

FINISH:

ALL METALIC PARTS: .00005 INCH. OF GOLD PER SAE AMS-2422 OVER NICKEL PER AMS 2403

DESIGN REQUIREMENTS :

TEMPERATURE RANGE: -65°C to +125°C
 IMPEDANCE : 50 OHMS NOMINALE
 DIELECTRIC WITHSTANDING VOLTAGE: 750 V rms AT SEA LEVEL
 VSWR: 1.3 from DC TO 1500 MHz

WIRING INSTRUCTION PER MI CT 01 00050
DIMENSIONS : mm (inch are given for information only)


Estimated weight : 3.45 g

CREATION

PEN: /

NOM: MOUTAULT W.

DATE: Oct. 17, 2018

APPR.: LEGENDRE T.

Issue	Revisions	Name	Approved
Oct. 22, 18	Color bands deleted (mistake)	Moutault W.	Legendre T.
Oct. 18, 18	Add MI CT 01 00050	Moutault W.	Legendre T.

616121EN

RADIAL PROPRIETARY INFORMATION

This document contains proprietary information and such information shall not be disclosed to any third party for any purpose whatsoever or used for manufacturing purposes without prior written agreement from RADIAL. This information is given as an indication. In the continual goal to improve our products, we reserve the right to make any modifications judged necessary.

4112_9311