



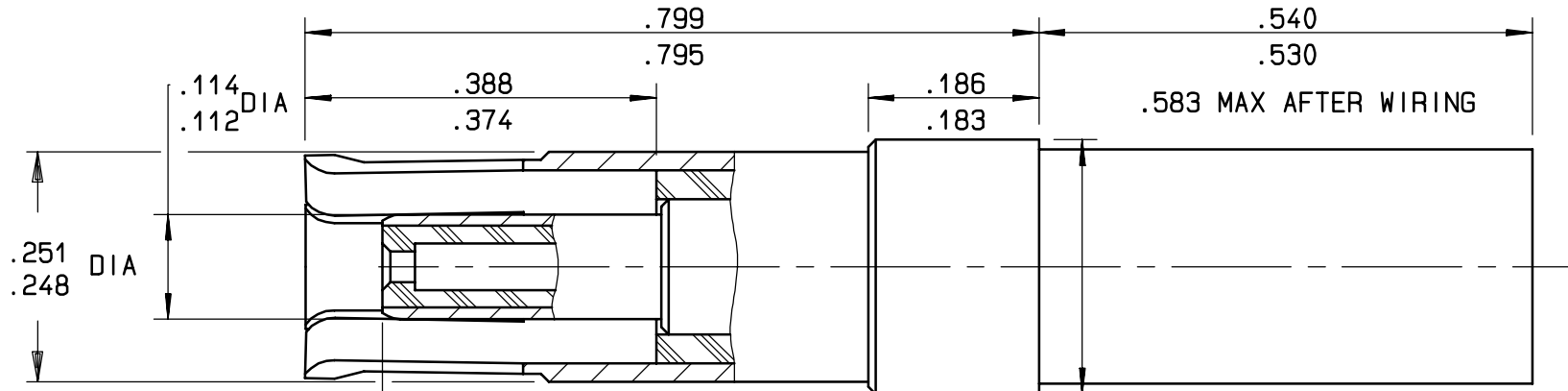
Series  
DSX

SIZE 9 CONCENTRIC TWINAX SOCKET CONTACT  
FOR MIL C 17 /17600002 CABLE

Issue:  
05 DEC 95

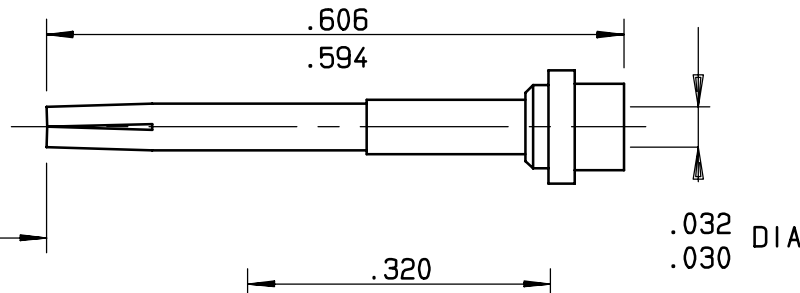
Page  
1 / 1

OUTER AND INTERMEDIATE CONTACT SUB-ASSEMBLY

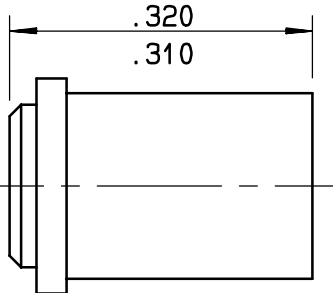
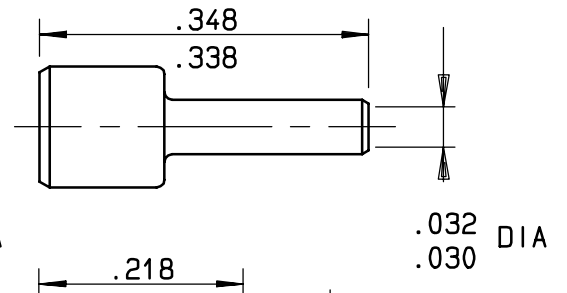


.095  
.072  
  
.152  
.124

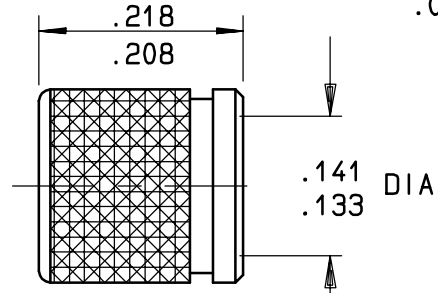
CENTER CONTACT SUB-ASSEMBLY



INTERMEDIATE CONTACT CRIMP POT



DIELECTRIC SLEEVE



INNER FERRULE

MATERIAL AND FINISH

ALL METAL PARTS: COPPER ALLOY\_GOLD OVER NICKEL  
DIELECTRIC PARTS: TEFLON

TOOLS

CENTER CONTACT: CRIMPING TOOL M22520/2\_01 (RADIALL P/N 282281)  
SELECTOR SET: 5  
POSITIONER: RADIALL P/N 282576  
INTERMEDIATE CONTACT CRIMP POT: CRIMPING TOOL M22520/2\_01 (RADIALL P/N 282281)  
SELECTOR SET: 5  
POSITIONER: RADIALL P/N 282574  
OUTER CONTACT: CRIMPING TOOL M22520/5\_01 (RADIALL P/N 282293)  
DIE M22520/5\_45 (RADIALL P/N 282236) DIE CLOSURE B .216/FLATS

EXTRACTION TOOL M81969/28\_01 (RADIALL P/N 282946)  
WIRING SEE SPECIFICATION RP3364

This information is given as an indication. In the continual goal to improve our products, we reserve the right to make any modifications judged necessary.

4112-9610

CREATION				
PEN: /				
NOM: JP MACARI				
DATE: MAY.29.91				
APPR.: /				
05DEC 95	TDS REDRAW; WIRING RP3364 WAS 5038	GOMBERT	BOLTEAU	
Issue	Revisions	Name	Approved	