



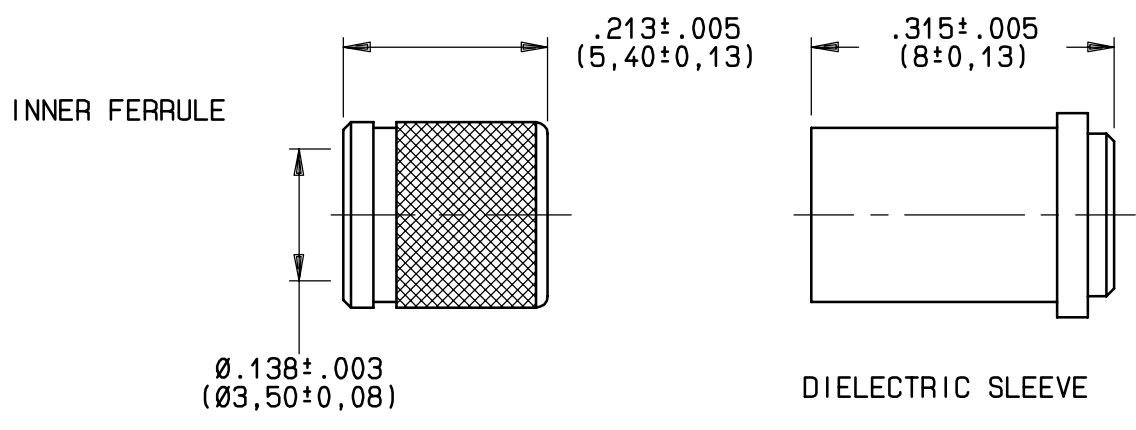
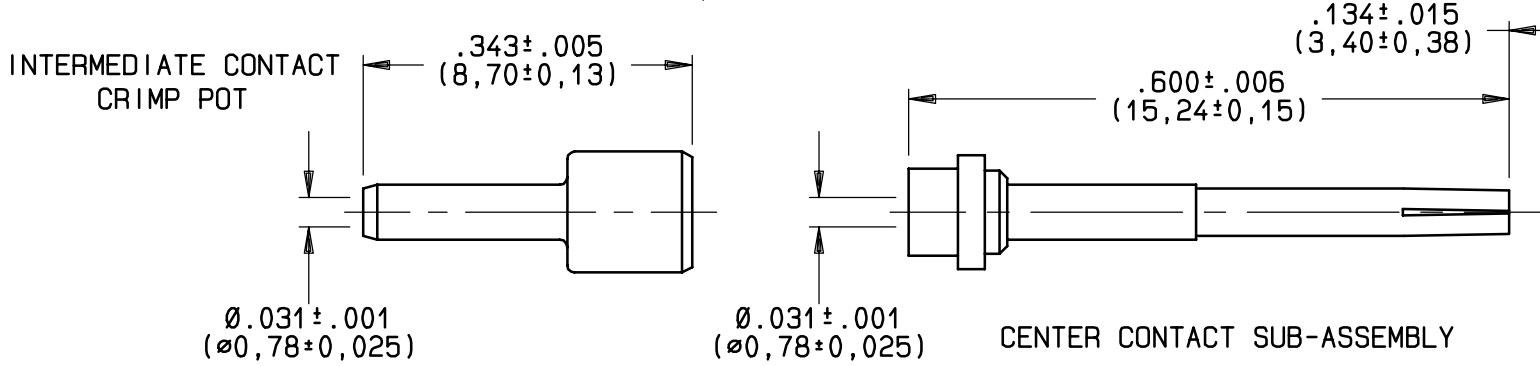
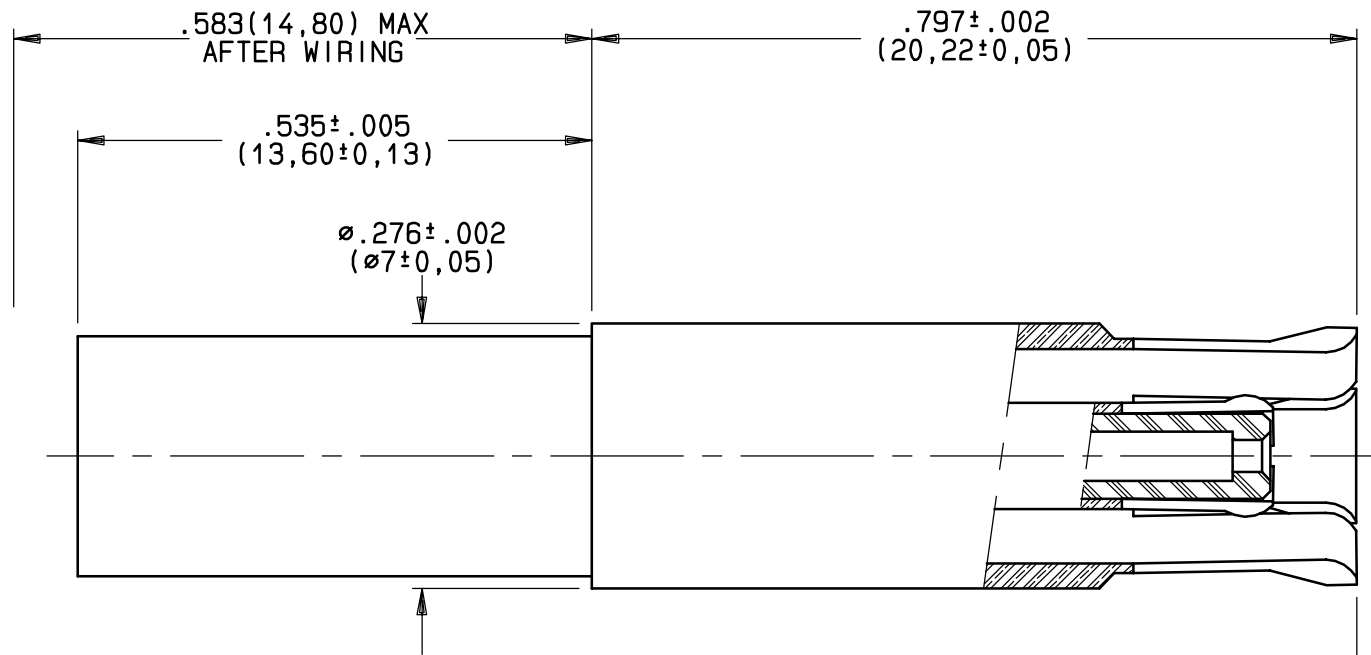
Series  
DSX

SIZE 5 CONCENTRIC TWINAX SOCKET CONTACT  
MIL C 17/176.00002 CABLE  
/

Issue:  
09 OCT. 98

Page  
1 / 1

OUTER AND INTERMEDIATE CONTACT SUB-ASSEMBLY



MATERIAL AND FINISH

ALL METAL PARTS: COPPER ALLOY\_0.000050 INCH OF GOLD OVER NICKEL  
DIELECTRIC PARTS: TEFLON

TOOLS

CENTER CONTACT: CRIMPING TOOL M22520/2\_01 (RADIAL 282 281)  
SELECTOR SET 5  
POSITIONER RADIAL 282 576  
INTERMEDIATE CONTACT CRIMP POT CRIMPING TOOL M22520/2\_01 (RADIAL 282 281)  
SELECTOR SET 5  
POSITIONER RADIAL 282 574  
OUTER CONTACT: CRIMPING TOOL M22520/5\_01 (RADIAL 282 293)  
DIE M22520/5\_45 (RADIAL 282 236) DIE CLOSURE B  
EXTRACTION TOOL M81969/28\_01 (RADIAL 282 946)

WIRING: SEE SPECIFICATION RP3364

This information is given as an indication. In the continual goal to improve our products, we reserve the right to make any modifications judged necessary.

CREATION				
PEN: 88048				
NOM: JP MACARI				
DATE: 12 OCT. 93				
APPR.: .	09 10 98	REDRAWN BY CAD ; SPEC WIRING RP3364 WAS RP5038	GOMBERT	
	Issue	Revisions	Name	Approved