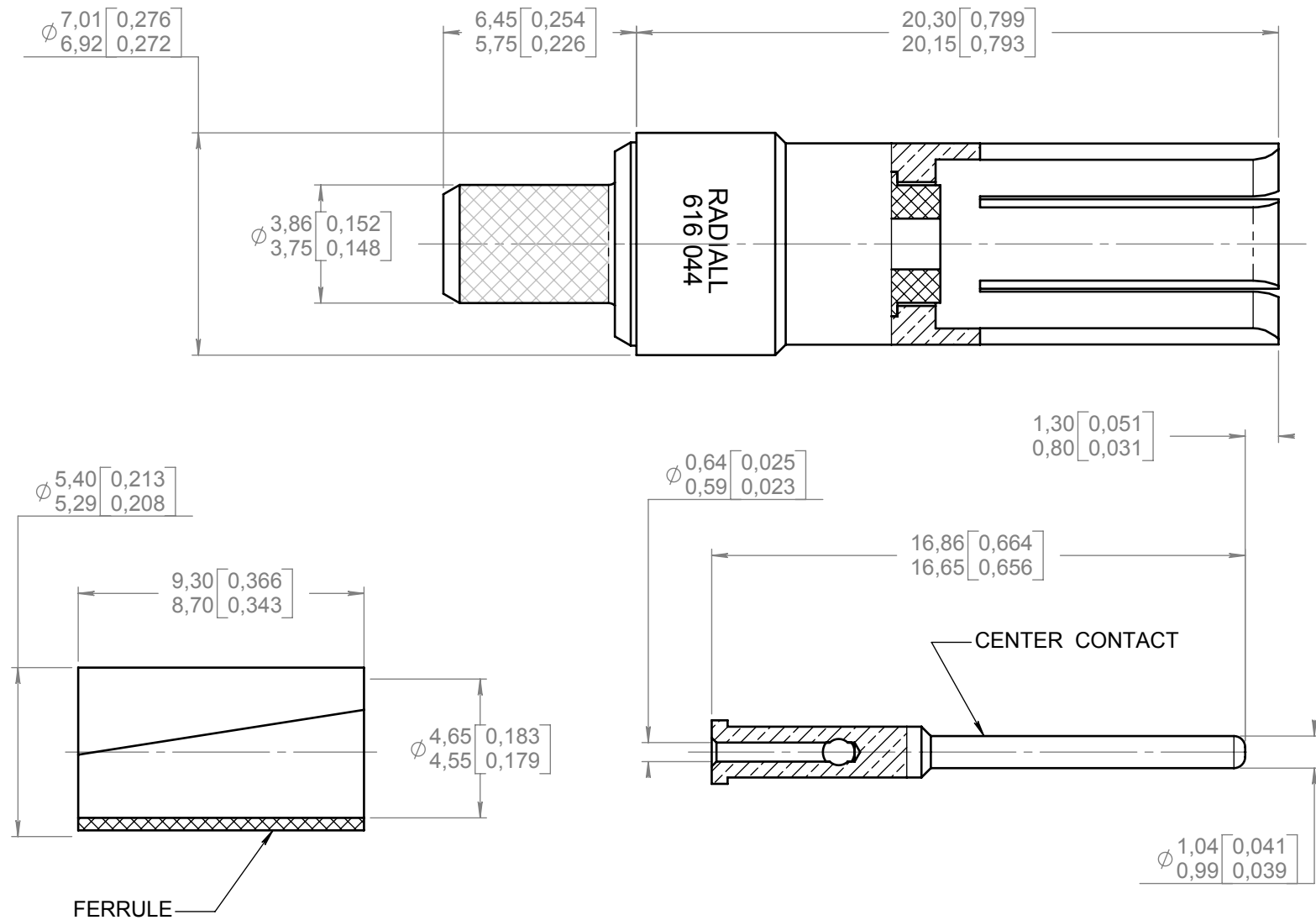


Series
DSX

**NONENVIRONMENTAL SIZE 9 CRIMP COAX SOCKET CONTACT
FOR RG180 AND 195 CABLES**

Issue:
MAY 25 2007

Page
1/1



This information is given as an indication. In the continual goal to improve our products, we reserve the right to make any modifications judged necessary.

MATERIAL:

Outer contact : Beryllium copper per ASTM-B-196
 Insulator : P T F E per ASTM-D-1710 or equivalent
 Center contact and ferrule: Brass per ASTM-B-453/B453M or equivalent
 Crimp Barrel: Brass per ASTM-B-455 or equivalent

FINISH:

All metallic parts: .00005 of GOLD per MIL-G-45204 TYPE I or II grade C or D, class 1 over NICKEL per QQ-N-290

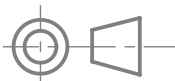
DESIGN REQUIREMENTS

Température range: -65° TO +125°C
 Impédance: 50 OHMS nominal
 V S W R: 1,30 from DC to 1500 MHz
 Diélectrique Withstanding Voltage: 750 VRMS at sea level

EXTRACTION TOOL: 282946 (M81969/28-01)(order separatly)

WIRING INSTRUCTIONS : MICT0100014

DIMENSIONS : mm (inch are given for information only)



CREATION				
PEN: /				
NOM: MACARI				
DATE: SEP 21 1994	25 05 07	REDRAWN - SUPPRESS DETAIL OF WIRING INSTRUCTION UPDATED - ADDED WIRING INSTRUCTION MICT 01 00014	VALGRESY	MONDOT
APPR.: .	Issue	Revisions	Name	Approved