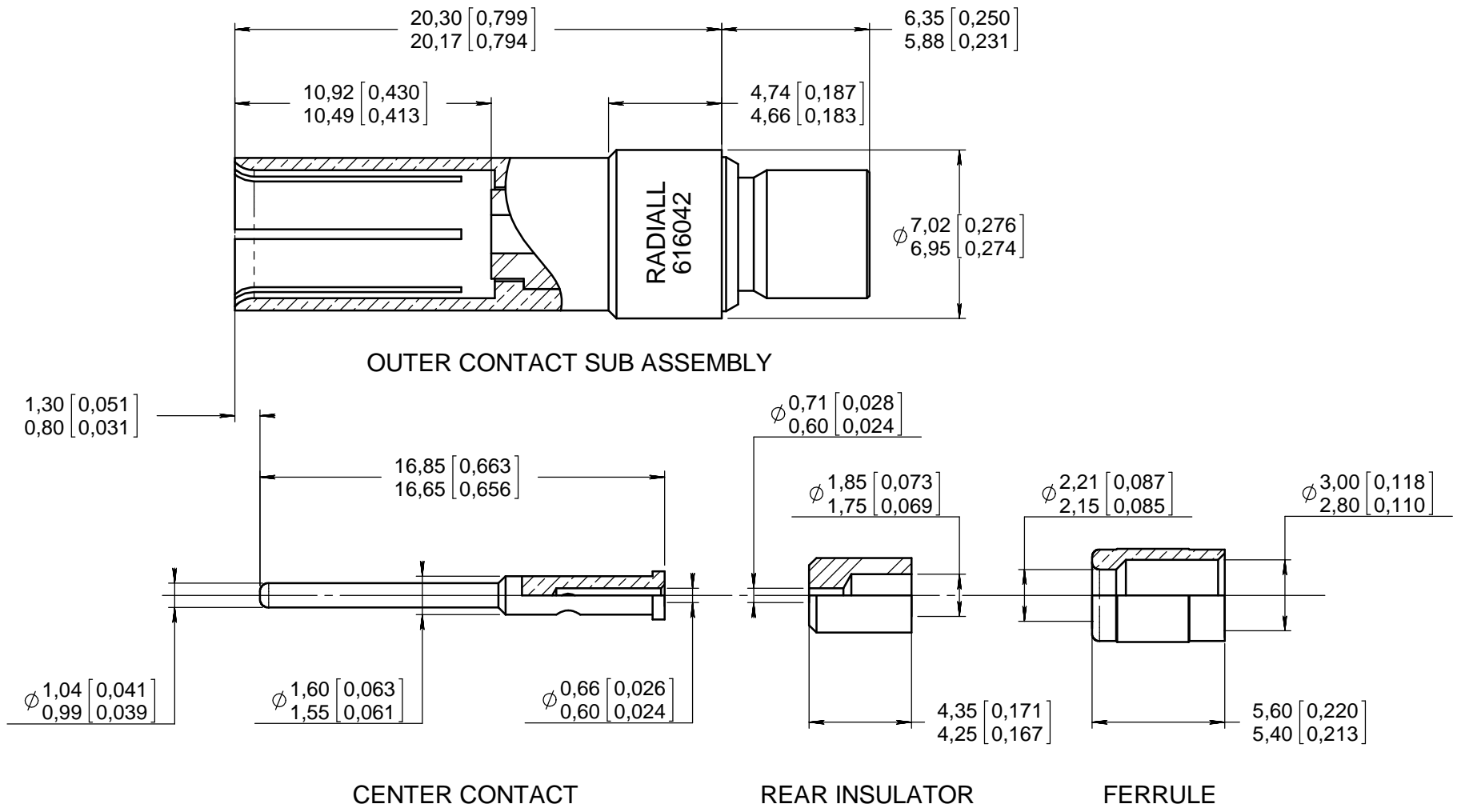


Series
DSX

NON ENVIRONMENTAL SIZE 9 CRIMP SOCKET CONTACT
FOR RG174, RG179, RG188, RG316, KX22 (AXON TS2619 OR P812817) CABLES

Issue:
NOV 16, 2009

Page
1/1



MATERIAL:

OUTER CONTACT : BERYLLIUM COPPER PER ASTM-B-196 OR EQUIVALENT
 CENTER CONTACT : BRASS PER ASTM B 453/B 453M
 FERRULE AND CRIMP BARREL : BRASS PER ASTM B 16/B 16M
 INSULATORS : PTFE PER ASTM-D-1710 OR EQUIVALENT

FINISH:

ALL METALIC PARTS: .00005 OF GOLD PER SAE AMS-2422 OVER ELECTRODEPOSITED NICKEL PER AMS-2403

CRIMPING TOOL:

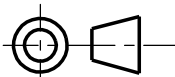
CENTER CONTACT: CRIMPING TOOL : M22520/2-01 (RADIALL P/N 282281)
 SELECTOR SET: SEE THE WIRING INSTRUCTION
 POSITIONER RADIALL : P/N 282974

OUTER CONTACT: CRIMPING TOOL : M22520/5-01 (RADIALL P/N 282293)
 DIE : M22520/5-05 (RADIALL P/N 282246) DIE CLOSURE B

EXTRACTION TOOL: M81969/28-01 (RADIALL 282946) (MUST BE ORDER SEPARATLY)

WIRING INSTRUCTION: SEE SPECIFICATION RP7575

DIMENSIONS : mm (inch are given for information only)



This information is given as an indication. In the continual goal to improve our products, we reserve the right to make any modifications judged necessary.

4112_9311

CREATION				
PEN:				
NOM: MONDOT JC.				
DATE: NOV 16, 2009	/	/	/	/
APPR.: BROCHET L.	Issue	Revisions	Name	Approved