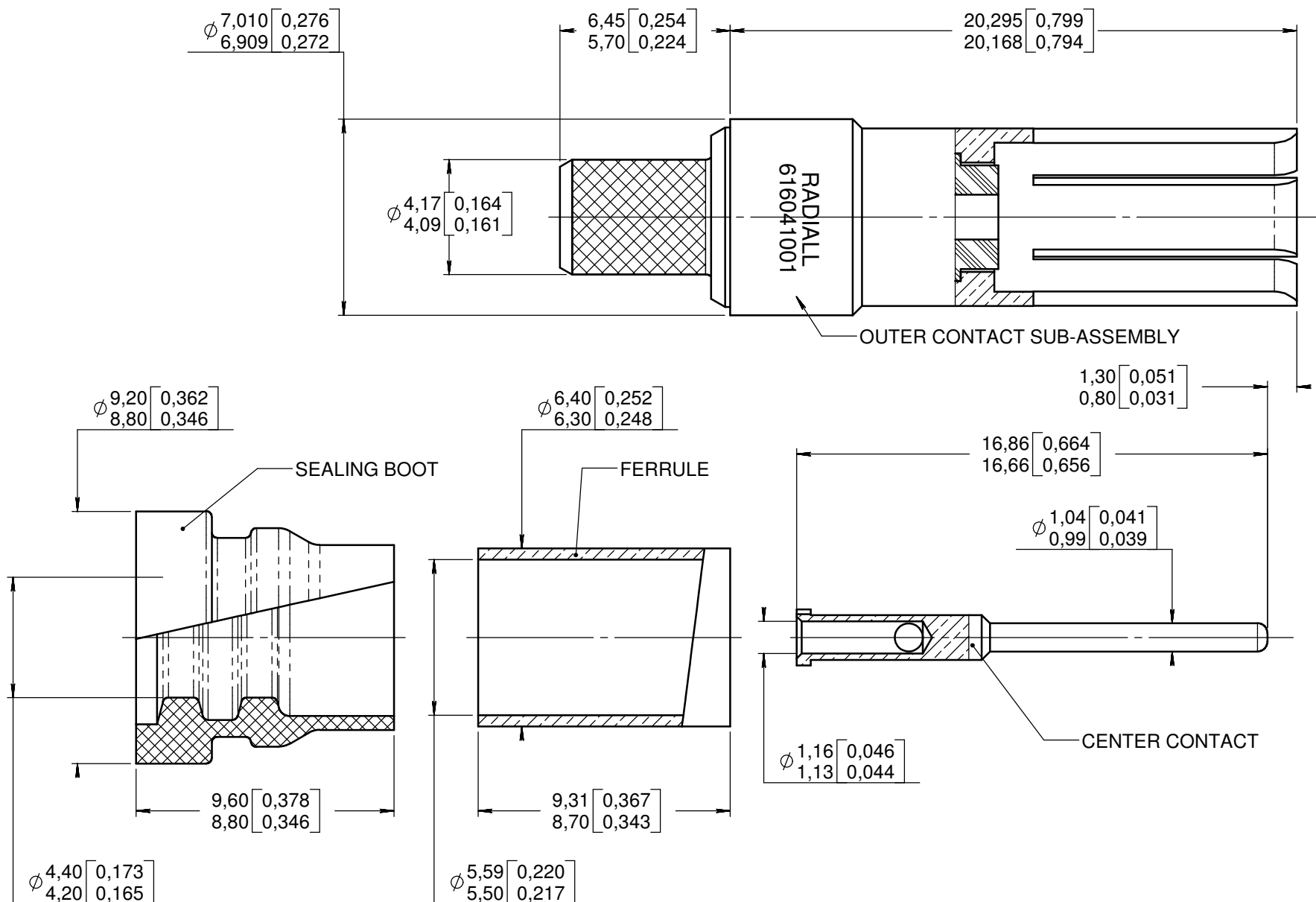


Series
DSX
ENVIRONMENTAL SIZE 9 CRIMP COAX SOCKET CONTACT
 FOR RG223, RG142, KX23 and RG400 CABLES

Issue:
 SEP. 05, 2007

Page
1/1

MATERIALS :

Outer contact : Beryllium copper per ASTM-B-196
 Insulator : P T F E per ASTM-D-1710 or equivalent
 Center contact, and ferrule: Copper alloy per ASTM B 453/B 453M
 Crimp barrel: Copper alloy per ASTM B 16/B 16M
 Sealing boot: Fluorosilicone Elastomer per SAE AMS-R-25988

FINISH:

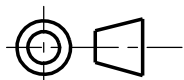
All metallic parts: .00005 of GOLD per SAE AMS-2422 over
 Electrodeposited nickel per SAE AMS-QQ-N-290 (Class 2)

DESIGN REQUIREMENTS

Temperature range: -65° TO +125°C
 Impédance: 50 OHMS nominal
 Rated voltage : 325 V RMS AT SEA LEVEL
 V S W R: 1,10:1 FREQUENCY RANGE : 0 - 300 MHZ
 V S W R: 1,30:1 FREQUENCY RANGE : 300 - 500 MHZ
 FREQUENCY RANGE : 0 - 500 MHZ
 Diélectrique Withstanding Voltage: 750 VRMS at sea level

EXTRACTION TOOL: 282946 (M81969/28-01)(order separatly)

WIRING INSTRUCTIONS : MICT 01 00015

DIMENSIONS : mm (inch) -


This information is given as an indication. In the continual goal to improve our products, we reserve the right to make any modifications judged necessary.

4112_9311

CREATION				
PEN: M070400805A				
NOM: VALGRESY				
DATE: JUNE 27 2007				
APPR.: MONDOT	05/09/07	ACCORDING WITH THE COMPLIANCE MATRIX	DUFLOS	MONDOT
	Issue	Revisions	Name	Approved

616041001EN