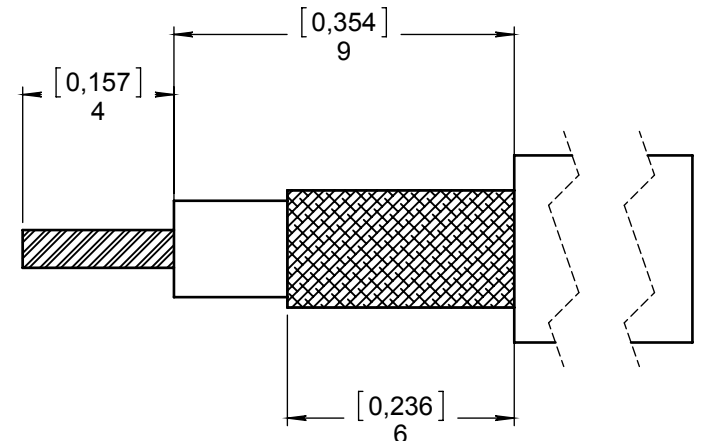
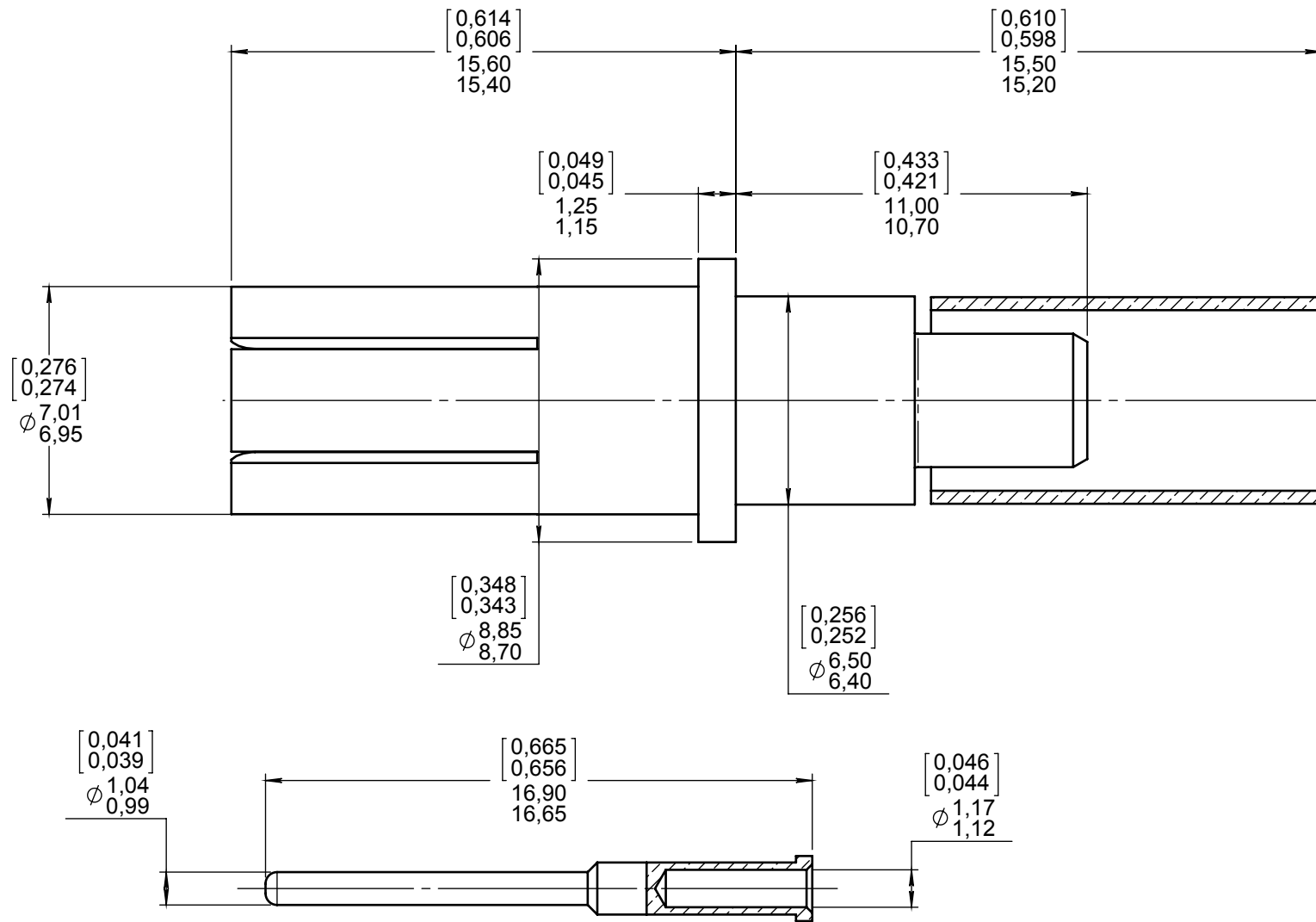


**Series
DSX**
**SIZE 7 SOCKET COAXIAL CONTACT
FOR RG142, RG223 AND KX23 CABLES**
**Issue:
Sept. 09, 2014**
**Page
1/1**

MATERIAL AND FINISH :

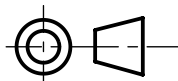
- OUTER CONTACT BODY : BERYLLIUM COPPER PER ASTM-B-196
- INSULATOR : PTFE PER ASTM-D-1710 OR EQUIVALENT
- FERRULE: BRASS PER ASTM B 453/B453 M
- CENTER CONTACT : BRASS PER ASTM B 453/B453 M

FINISH :

- OUTER CONTACT BODY, CENTER CONTACT AND FERRULE:
PLATING .00005 INCH OF GOLD PER MIL-G-45204 TYPE I OR II GRADE C OR D CLASS 1
OVER NICKEL QQ-N-290

CRIMPING TOOLS :

- CRIMP CENTER CONTACT : 282281 (M22520/2.01)
SELECTOR 8
POSITIONER : DANIELS K 345
- CRIMP OUTER CONTACT BODY : 282293 (M22520/5.01)
DIE 282246 (M22520/5.05) Hex : A 5,40 / flats

DIMENSIONS : mm (inch are given for information only)


Estimated weight : 4.35 g

CREATION

PEN: 82-080

NOM: MACARI

DATE: Mar, 22, 1982

APPR.:

| Issue | Revisions | Name | Approved |
|-------|-----------|------|----------|
| / | / | / | / |
| | | | |
| | | | |
| | | | |

616031EN

RADIALL PROPRIETARY INFORMATION

This document contains proprietary information and such information shall not be disclosed to any third party for any purpose whatsoever or used for manufacturing purposes without prior written agreement from RADIALL. This information is given as an indication. In the continual goal to improve our products, we reserve the right to make any modifications judged necessary.

4112_9311