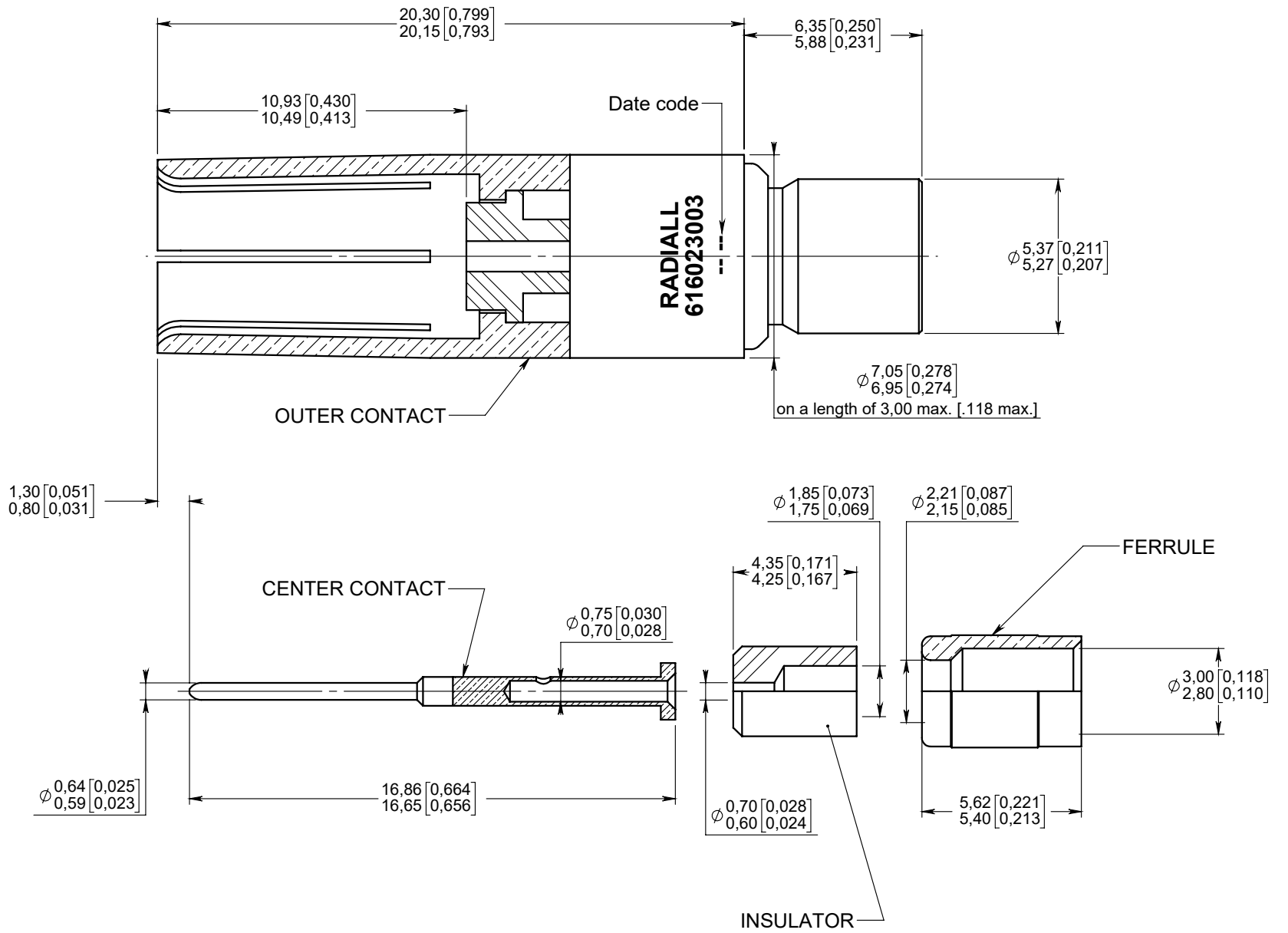


**Series  
DSX**
**NON-ENVIRONMENTAL SIZE 5 CRIMP COAXIAL SOCKET CONTACT  
FOR RG179 CABLE**
**Issue:  
Feb. 01, 2021**
**Page  
1/1**

**MATERIAL :**

OUTER CONTACT : BERYLLIUM COPPER PER ASTM-B-196  
 INSULATOR : PTFE PER ASTM-D-1710 OR EQUIVALENT  
 CENTER CONTACT, FERRULE AND CRIMP BARREL : BRASS PER ASTM B 16 OR ASTM B 453 OR EN 12164

**FINISH :**

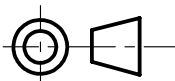
ALL METALIC PARTS: .00005 OF GOLD PER SAE AMS-2422 OVER NICKEL PER AMS 2403

**DESIGN REQUIREMENTS :**

TEMPERATURE RANGE: -65°C to +125°C  
 IMPEDANCE : 75 OHMS NOMINAL  
 DIELECTRIC WITHSTANDING VOLTAGE: 750 V rms AT SEA LEVEL  
 VSWR: 1.3 from DC TO 1.5 GHz

**EXTRACTION TOOL :** RADIALL 282946 (M81659/28-01) (MUST BE ORDER SEPARATLY)

**WIRING INSTRUCTIONS PER :** MICT0100049

**DIMENSIONS : mm (inch are given for information only)**


Estimated weight : 4 g

**CREATION**

PEN: 20188356-40

NOM: MOUTAULT W.

DATE: July. 08, 2020

APPR.: BRANJONNEAU V

Feb. 01, 2021	Date code marking added.	Perrin H.	Moutault W.
<b>Issue</b>	<b>Revisions</b>	<b>Name</b>	<b>Approved</b>

616023003EN

RADIALL PROPRIETARY INFORMATION

This document contains proprietary information and such information shall not be disclosed to any third party for any purpose whatsoever or used for manufacturing purposes without prior written agreement from RADIALL. This information is given as an indication. In the continual goal to improve our products, we reserve the right to make any modifications judged necessary.

4112\_9311