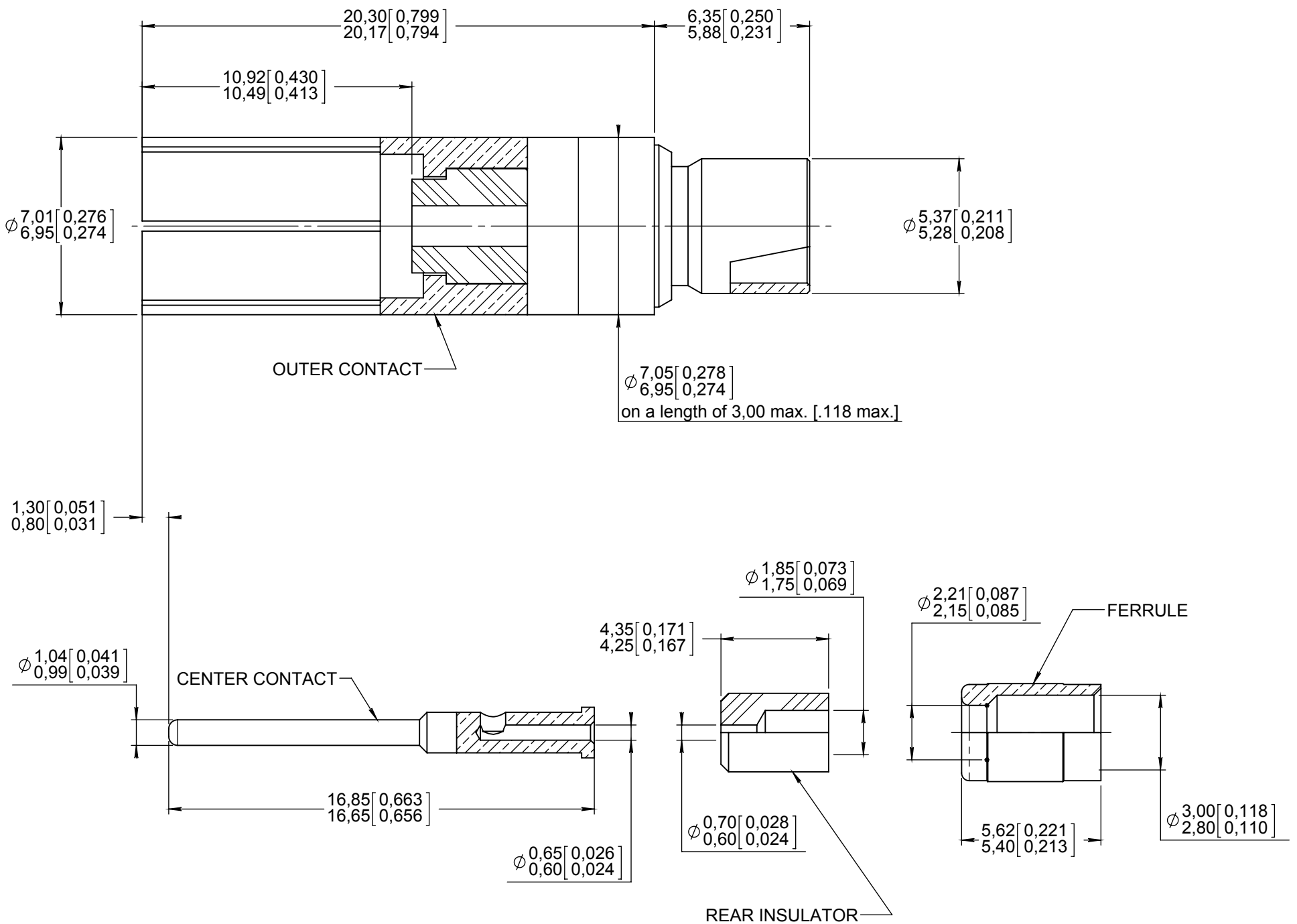


Series
DSX

NON ENVIRONMENTAL SIZE 5 CRIMP COAX SOCKET CONTACT
FOR RG174, RG179, RG188, RG316, KX22, FILOTEX ET 122715, ASNE 0690 CABLES

Issue:
Sept. 18, 2014

Page
1/1



MATERIAL :

OUTER CONTACT : BERYLLIUM COPPER PER ASTM-B-196
 INSULATOR : PTFE PER ASTM-D-1710 OR EQUIVALENT
 CENTER CONTACT AND FERRULE : BRASS PER ASTM B 16 OR ASTM B 453 OR EN 12164
 CRIMP BARREL: BRASS PER ASTM B 16 OR ASTM B 453 OR EN 12164

FINISH:

ALL METALIC PARTS: .00005 OF GOLD PER SAE AMS-2422 OVER NICKEL PER AMS 2403

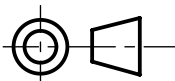
DESIGN REQUIREMENTS

TEMPERATURE RANGE: -65°C to +125°C
 IMPEDANCE : 50 OHMS NOMINALE
 DIELECTRIC WITHSTANDING VOLTAGE: 750 V rms AT SEA LEVEL
 VSWR: 1.3 from DC TO 1500 MHz

EXTRACTION TOOL: RADIALL 282 946 (M81659/28-01) (MUST BE ORDER SEPARATLY)

WIRING INSTRUCTIONS PER : RP 7575

DIMENSIONS : mm (inch are given for information only)



Estimated weight : 4.00 g

| CREATION | | | | |
|----------------|--------------|--|-------------|----------|
| PEN: | | | | |
| NOM: FALETTI | Sept. 18, 14 | Ø7.05/6.95 on 2 mm min -> on 3mm max | Branjonneau | Dupuis |
| DATE: Nov. 91, | Sept. 12, 14 | Dim body updated : add Ø7.05/6.95 on 2 mm | Moutault | Dupuis |
| APPR.: | SEP 24 09 | REDRAWN - SUPPRESS DETAIL OF WIRING INSTRUCTION UPDATED - ADDED WIRING INSTRUCTION RP7575 | VALGRESY | BROCHET |
| | Issue | Revisions | Name | Approved |

This document contains proprietary information and such information shall not be disclosed to any third party for any purpose whatsoever or used for manufacturing purposes without prior written agreement from RADIALL. This information is given as an indication. In the continual goal to improve our products, we reserve the right to make any modifications judged necessary.

4112_9311