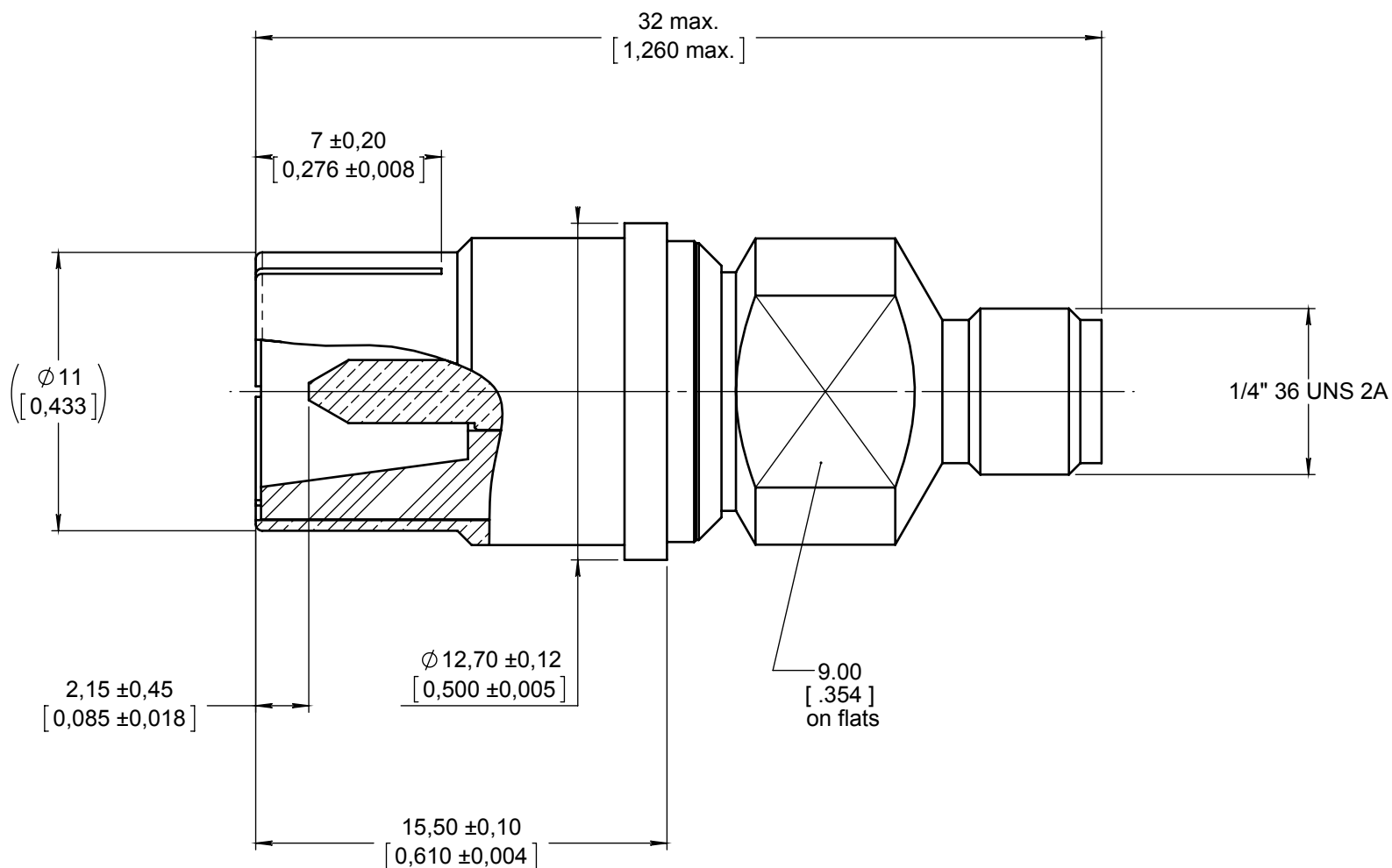


Series
DSX

SIZE 1 COAX CONTACT
SMA TERMINATION

Issue:
Nov. 23, 2015

Page
1/1



MATERIAL :

OUTER BODY : BERYLIUM COPPER PER ASTM-B-196
 CENTER CONTACT : BERYLIUM COPPER PER ASTM-B-196
 INSULATOR : PTFE PER ASTM-B-1710 OR EQUIVALENT
 CRIMP BARREL SMA TERMINAISON : BERYLIUM COPPER PER ASTM-B-196

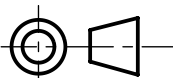
FINISH :

OUTER BODY : NICKEL PER SAE AMS-2403
 CRIMP BARREL SMA TERMINAISON : NICKEL PER SAE AMS-2403
 CENTER CONTACT : .00005 INCH OF GOLD PER MIL-DTL-45204 OVER NICKEL PER AMS 2403

NOTE :

IMPEDANCE : 50 OHMS
 DIELECTRIC WITHSTANDING VOLTAGE : 1500 V
 INSULATION RESISTANCE : > 5000 MHOMS
 VSWR : 1.3 FROM 10 MHz TO 5 GHZ

DIMENSIONS : mm (inch are given for information only)



Estimated weight : 13 g

CREATION PEN: / NOM: FALETTI DATE: Sept. 28, 1981 APPR.:				
	Nov. 23, 15	TDS updated	Moutault	Legendre
	30-10-86	Plan remis à jour	/	/
Issue	Revisions	Name	Approved	

This document contains proprietary information and such information shall not be disclosed to any third party for any purpose whatsoever or used for manufacturing purposes without prior written agreement from RADIALL. This information is given as an indication. In the continual goal to improve our products, we reserve the right to make any modifications judged necessary.

4112_9311