

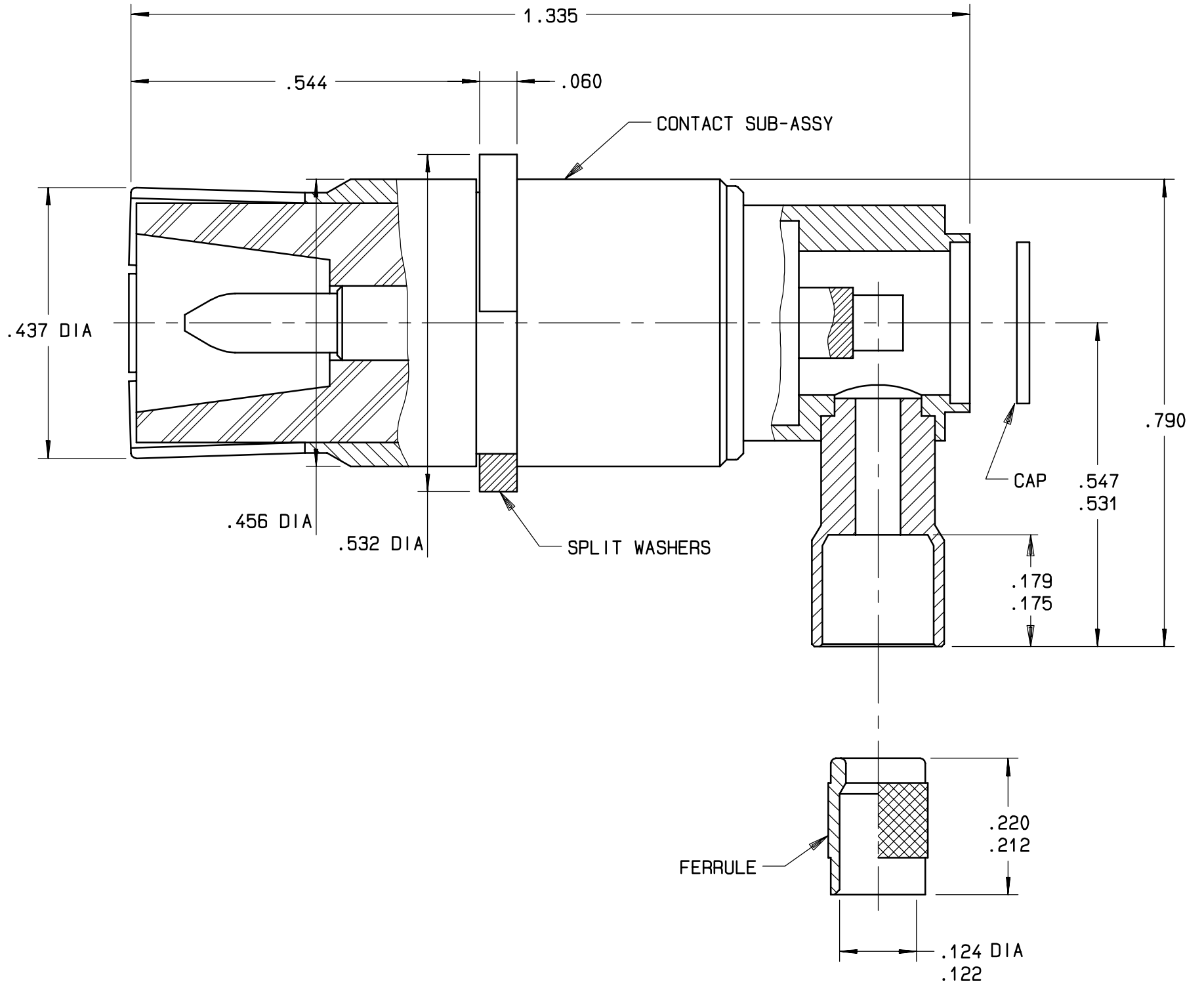


Series
DSX

SIZE 1 PIN COAXIAL CONTACT 90° STYLE
FOR DOUBLE SHIELDED RG316 CABLE (Cust.P/N:024-00058-0000)
CUSTOMER BENDIX KING P/N:030-00419-0001

Issue:
AUGUST 01,03

Page
1 / 1



MATERIAL AND FINISH:

OUTER CONTACT,CENTER CONTACT,CAP AND FERRULE:COPPER ALLOY_GOLD OVER NICKEL
SPLIT WASHERS:COPPER ALLOY_CADMIUM PLATED
INSULATOR:PTFE

ELECTRICAL DATA

TEMPERATURE RANGE -65° C+125° C
IMPEDANCE 50
FREQUENCY RANGE 0 TO 6GHz
DIELECTRIC WITHSTANDING VOLTAGE 1000V

WIRING INSTRUCTIONS SEE RP8134

This information is given as an indication. In the continual goal to improve our products, we reserve the right to make any modifications judged necessary.

4112-9610

CREATION
PEN: 92037
NOM: JP MACARI
DATE: JUNE 11 92
APPR.: .	01/08/03	DRAWING CAO	GOMBERT	MACARI
	Issue	Revisions	Name	Approved

RADIALL[®]

101,rue Philibert Hoffmann Z.I.Ouest
93116 ROSNY/BOIS Cedex (France)
Tl.:01 49 35 35 35
Fax.:01 48 54 63 63
Tlax:RADIA 235220