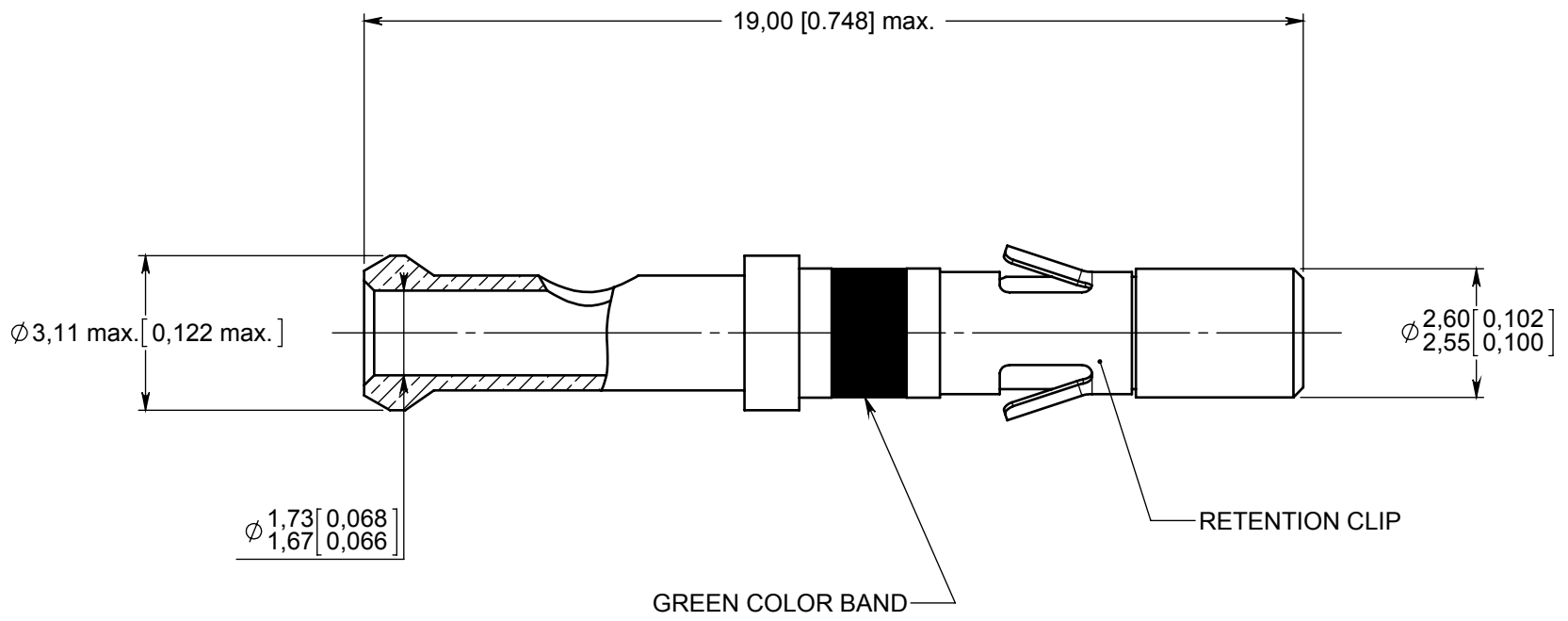


Series
MCS-R

SOLDER SOCKET CONTACT
FOR AWG16, AWG18 AND AWG20 CABLES

Issue:
April 29, 2013

Page
1/1

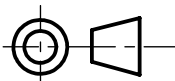


MATERIALS & FINISHES :

- CONTACT : COPPER ALLOY, GOLD OVER NICKEL PLATED
- RETENTION CLIP : BERYLIUM COPPER, NICKEL PLATED

EXT TOOL : RADIALL 282920 (MUST BE ORDER SEPARATLY)

DIMENSIONS : mm (inch are given for information only)



Confidential information not to be disclosed to third parties without Radiall approval. This information is given as an indication. In the continual goal to improve our products, we reserve the right to make any modifications judged necessary.

4112_9311

CREATION				
PEN:				
NOM: Branjonneau				
DATE: Sept. 05, 2011	/	/	/	/
APPR.: Perrin H.	Issue	Revisions	Name	Approved