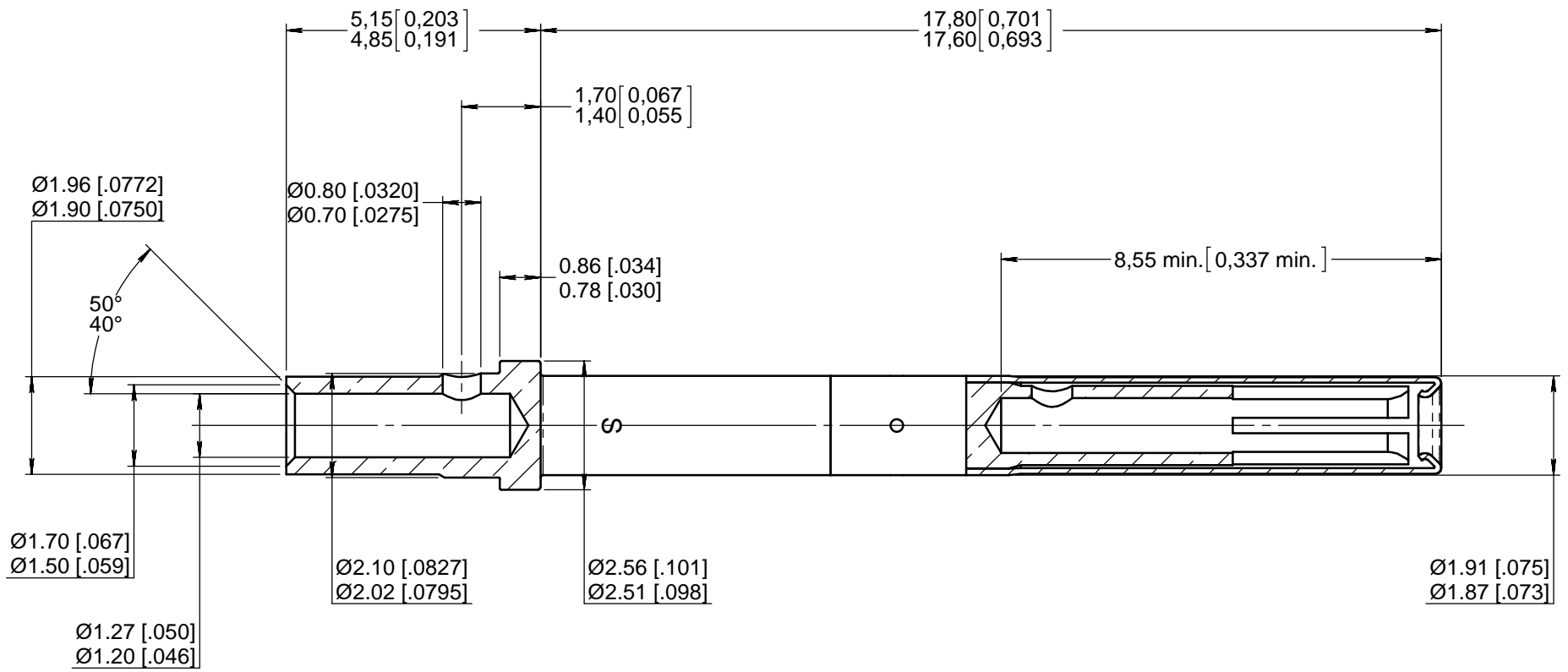


Series
DSX

CRIMP REMOVABLE #20-22 SOCKET CONTACT

Issue:
April. 17, 2012

Page
1/1



WIRES ACCOMODATED : AWG 20, 22 AND 24
INSULATOR DIAMETER : 1.80 MAX [.071]
STRIP LENGHT : 4.00 [.158]

TOOLING :
CRIMPING TOOL : M22520/1_01
SELECTOR POSITION : 4 FOR AWG 20
3 FOR AWG 22
3 FOR AWG 24

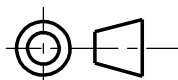
POSITIONER : M22520/1_02

MATERIAL AND FINISHES :
BODY CONTACT : BERYLLIUM COPPER PER ASTM-B-196 HEAT TREADED HARDNESS 380-420 HV
BARREL ANNEALED HARDNESS 120-140 HV

PLATING : .PLATING .00005 INCH OF GOLD PER MIL-DTL-45204 OVER NICKEL PER AMS 2403

PROTECTIVE SLEEVE : PASSIVATED STAINLESS STEEL AISI 305

DIMENSIONS : mm (inch are given for information only)



Estimated weight : 0.41 g

Confidential information not to be disclosed to third parties without Radiall approval. This information is given as an indication, in the continual goal to improve our products, we reserve the right to make any modifications judged necessary.

4112_9311

CREATION				
PEN:				
NOM: MACARI				
DATE: 07/04/89				
APPR.:	April. 17, 12	TDS upadted per spec n°263-1104 rev_B	Moutault	Dupuis
	Issue	Revisions	Name	Approved