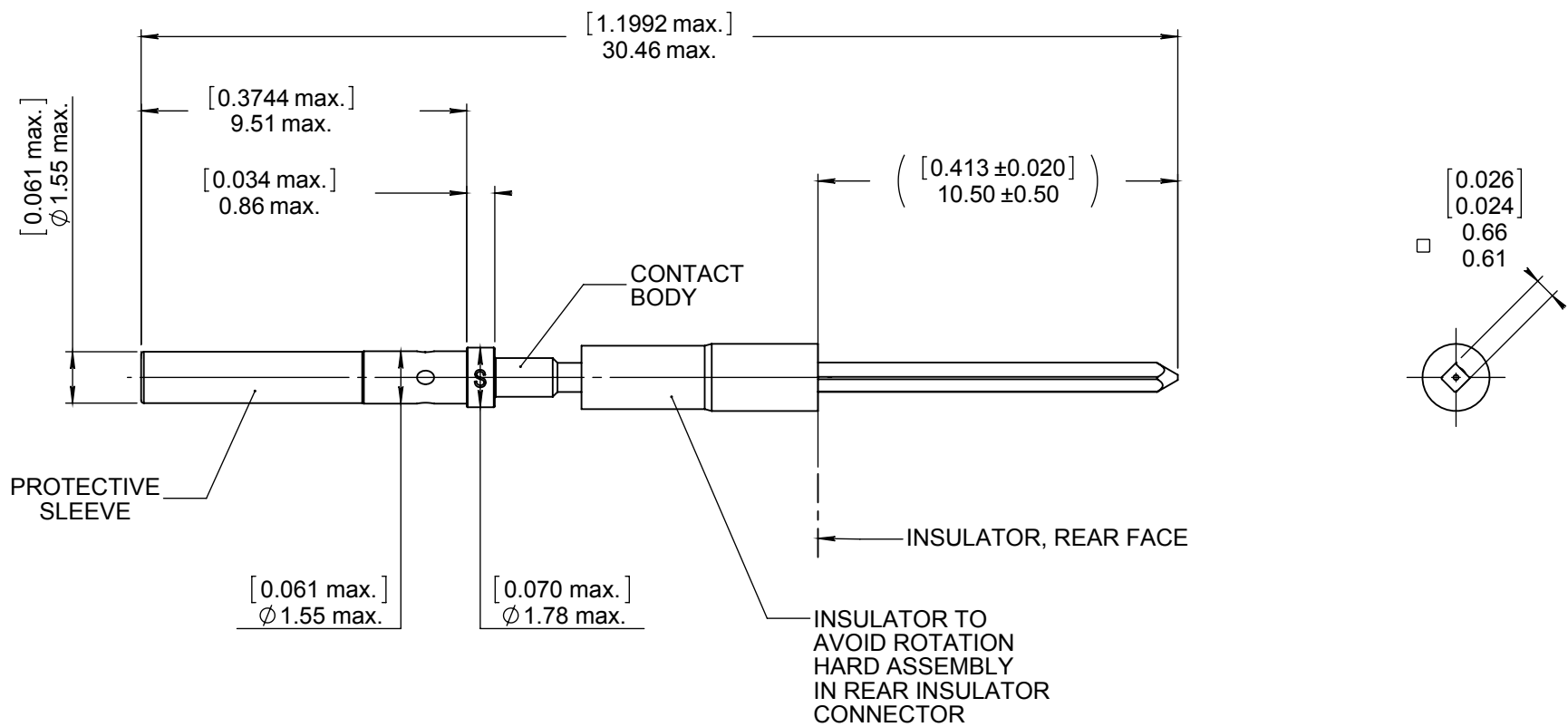
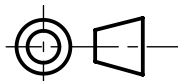


**Series
DSX**
**SIZE 22 SOCKET CONTACT FOR
2 WRAPPED CONNECTION LEVELS
REAR RELEASE - REAR REMOVABLE**
**Issue:
Sept. 05, 2011**
**Page
1/1**

MATERIAL:

- BODY CONTACT : COPPER ALLOY
- PROTECTIVE SLEEVE : STAINLESS STEEL PER SAE AMS-5514
- INSULATOR : PTFE PER ASTM D 1710 OR EQUIVALENT

FINISH:

- CONTACT BODY : PLATING .00005 INCH OF GOLD PER SAE AMS-2422 OVER NICKEL PER SAE AMS-QQ-N-290
- PROTECTIVE SLEEVE : PASSIVATED PER SAE AMS-QQ-P-35

INS/EXT TOOLS : RADIALL 282948 AND 282527 (MUST BE ORDERED SEPARATELY)
MOUNTING INSTRUCTIONS : SEE RP2983
DIMENSIONS : mm (inch are given for information only)


Estimated weight : 0.21 g

CREATION
PEN:
NOM: Branjonneau
DATE: Sept. 05, 2011
APPR.:

Issue	Revisions	Name	Approved

610303EN

RADIALL PROPRIETARY INFORMATION

This document contains proprietary information and such information shall not be disclosed to any third party for any purpose whatsoever or used for manufacturing purposes without prior written agreement from RADIALL. This information is given as an indication. In the continual goal to improve our products, we reserve the right to make any modifications judged necessary.

4112_9311