

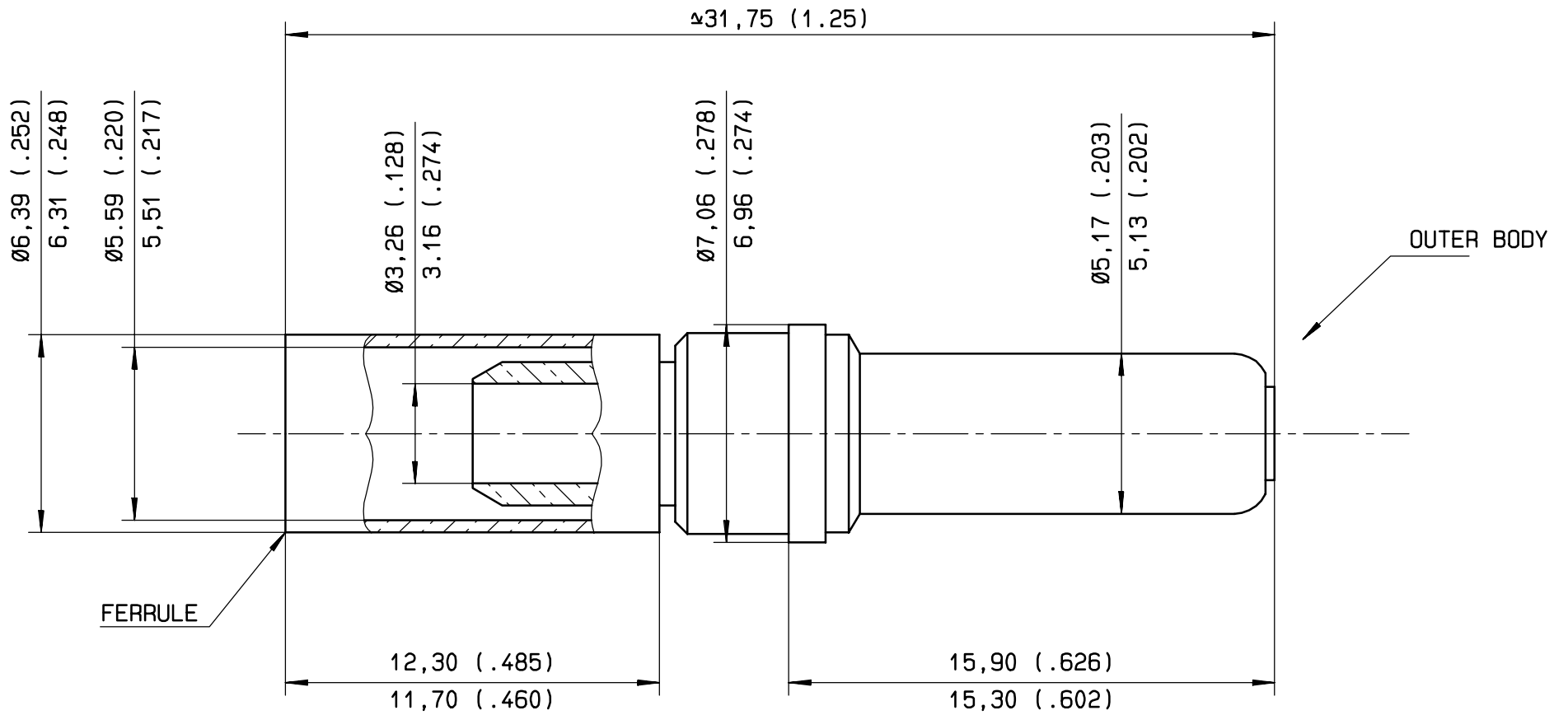


Series
DSX

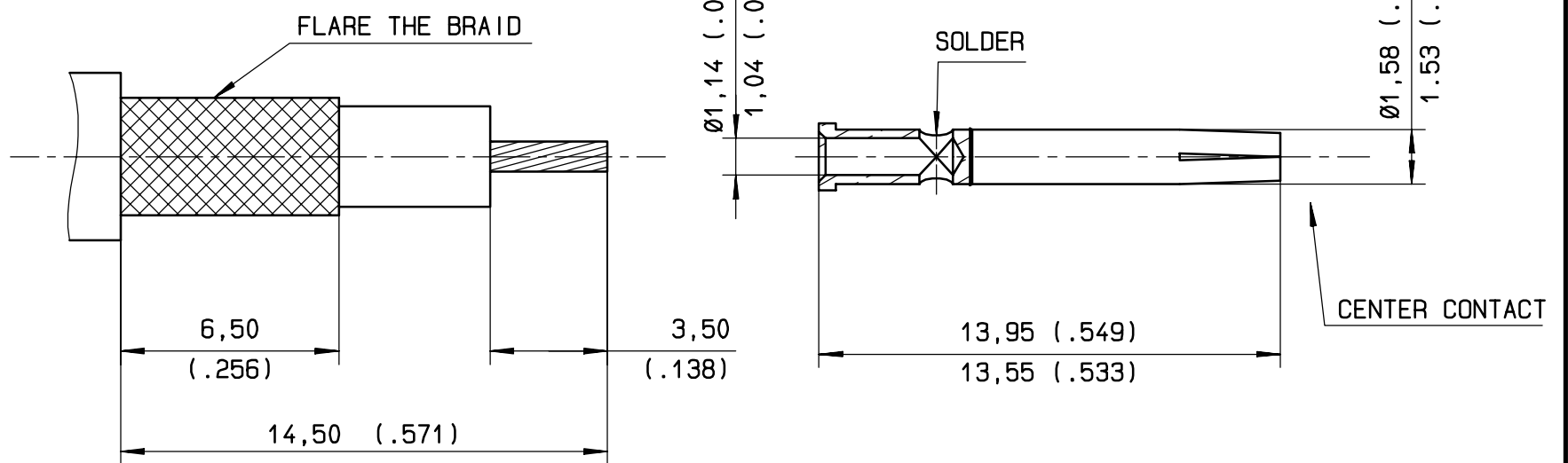
SIZE 9 COAX PIN CONTACT
FOR RG58 , KX15 . RG141 . EC0142 CABLES
/

Issue:
19 NOV. 04

Page
1 / 1



CABLE STRIPPING :



TOOLING :

CENTER CONTACT : SOLDER
 OUTER CONTACT : CRIMPING TOOL : M22520/5_01 (RADIALL 282293)
 DIE : M22520/5_05 (RADIALL 282246) Hex : A (5,40(.213)/FLAT)

MATERIAL :

OUTER BODY : BRASS PER QQ-B-626
 CENTER CONTACT : BERYLLIUM COPPER PER ASTM-B-194
 FERRULE: ANNEALED BRASS
 INSULATORS: PTFE PER ASTM-D-1710 OR EQUIVALENT

FINISH:

ALL METALIC PARTS: .00005 OF GOLD PER MIL-G-45204 TYPE I OR II, GRADE C OR D, CLASS 1 OVER NICKEL PER QQ-N-290

TEMPERATURE RANGE: -65°C TO + 125°C

INSULATION RESISTANCE: > 5000MΩ
 DIELECTRIC WITHSTANDING VOLTAGE: 750 V RMS
 NOMINAL IMPEDANCE: 50Ω
 VSWR: 1,3 FROM DC TO 1500MHz
 CONTACT RESISTANCE:< 5 mΩ

This information is given as an indication. In the continual goal to improve our products, we reserve the right to make any modifications judged necessary.

4112-9610

CREATION
PEN: M040009384A
NOM: JP MACARI
DATE: 25/10/74	19NOV04	ADD. EC0142 CABLE and M040009384A	GOMBERT	LAHOREAU
APPR.: .	9JUNE00	DRAWING ENGLISH	GOMBERT	V.D.M.
	Issue	Revisions	Name	Approved