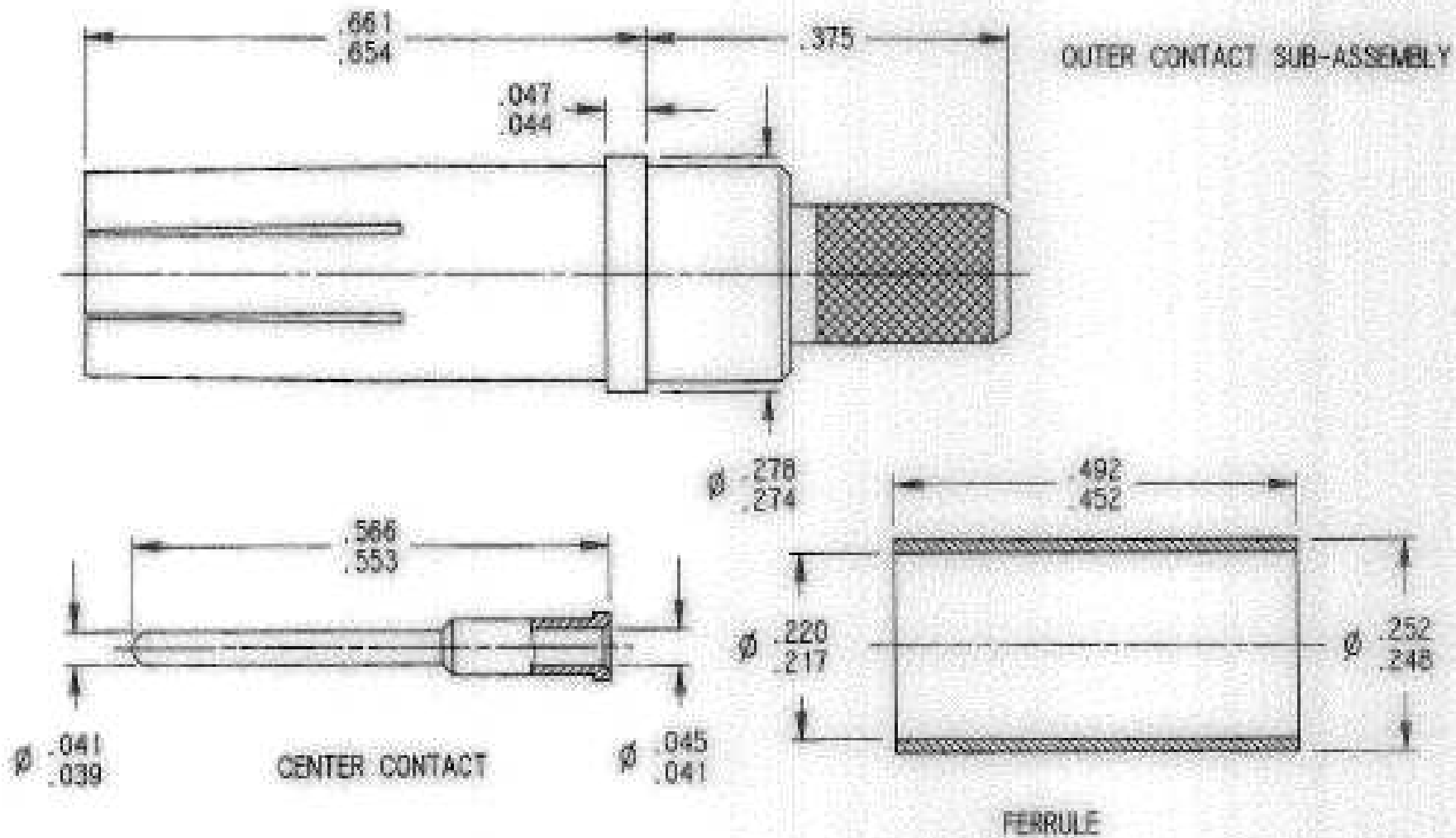


Series  
DSX

SIZE 9 COAXIAL RECEPTACLE CONTACT  
FOR RG142, RG223 CABLES

Issue:  
21 OCT. 94

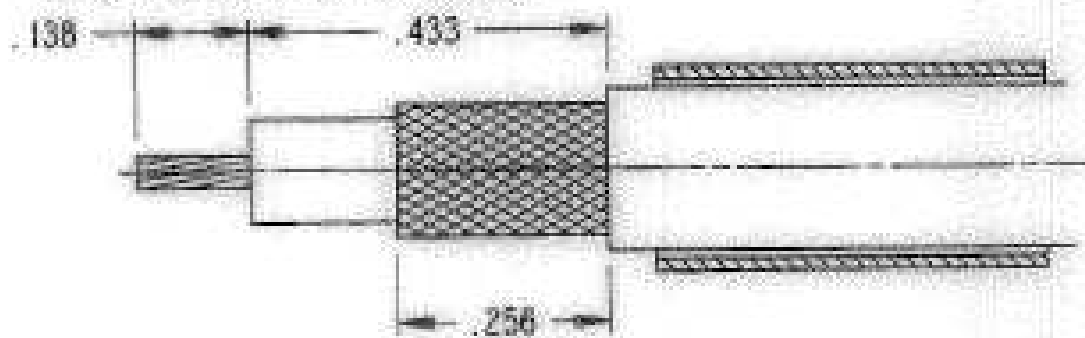
Page  
1 / 1



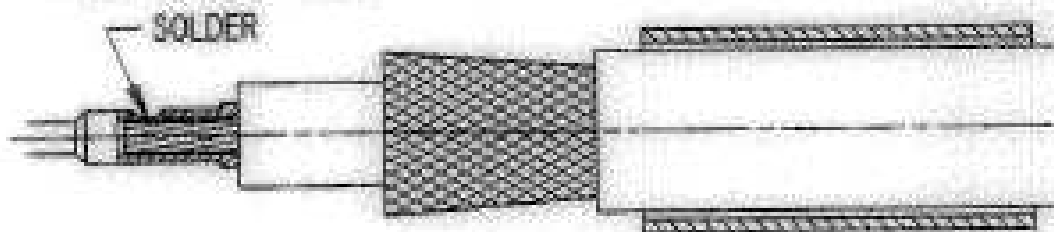
**MATERIAL AND FINISH:**  
ALL METAL PARTS: COPPER ALLOY, GOLD OVER NICKEL PLATED  
DIELECTRIC PART: TEFLON

**WIRING INSTRUCTIONS:**

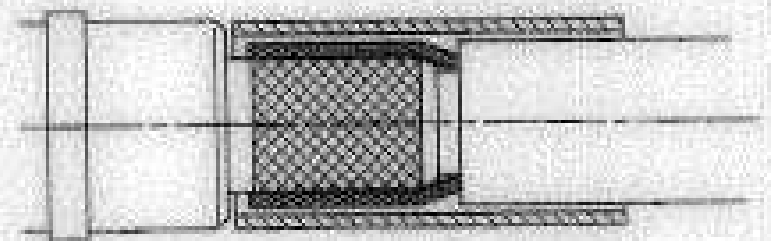
**STEP 1**  
STRIP CABLE TO DIMENSIONS SHOWN  
SLIDE FERRULE OVER THE JACKET



**STEP 2**  
FLARE BRAID  
SLIDE CENTER CONTACT OVER CENTER CONDUCTOR UNTIL  
IT BUTTS THEN SOLDER



**STEP 3**  
INTRODUCE THIS SUB-ASSEMBLY INTO OUTER CONTACT  
AND PUSH UNTIL BUTTING  
FOLD BACK THE BRAID ON THE BARREL KNURLED SECTION  
AND SLIDE THE FERRULE OVER THE BRAID  
CRIMP FERRULE  
CRIMPING TOOL: M22520/5\_01  
DIE M22520/5\_05 HEX A



This information is given as an indication in the context of the product, we reserve the right to make any modifications judged necessary.

4112\_9311

CREATION				
PEN: -				
NOM: JP MACARI				
DATE: 21 OCT. 94				
APPR: C. Colson				
Issue	Revisions	Name	Approved	