



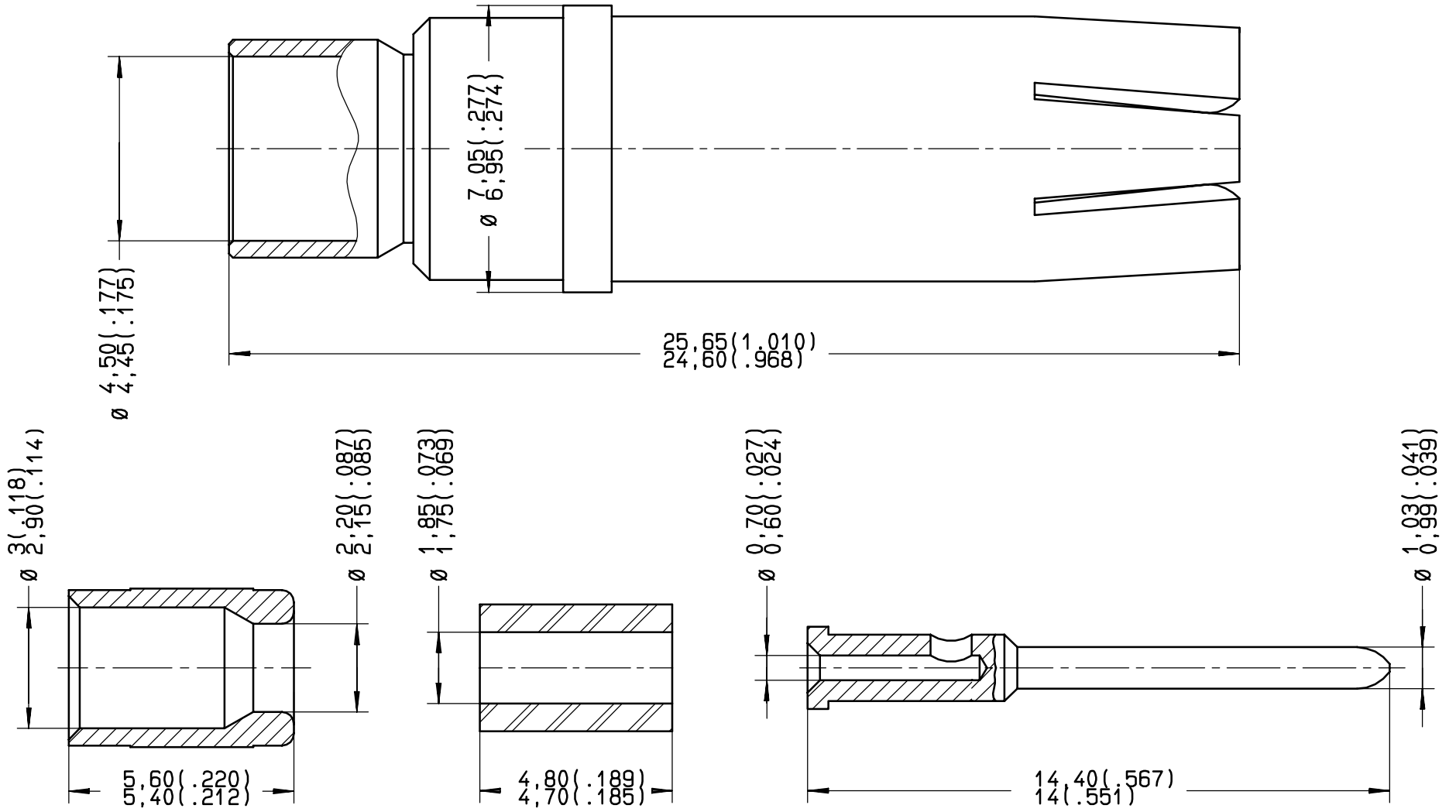
Series
DSX

COAXIAL CRIMP SOCKET CONTACT SIZE 9
FOR RG316 . KX22 . EC0316 CABLES

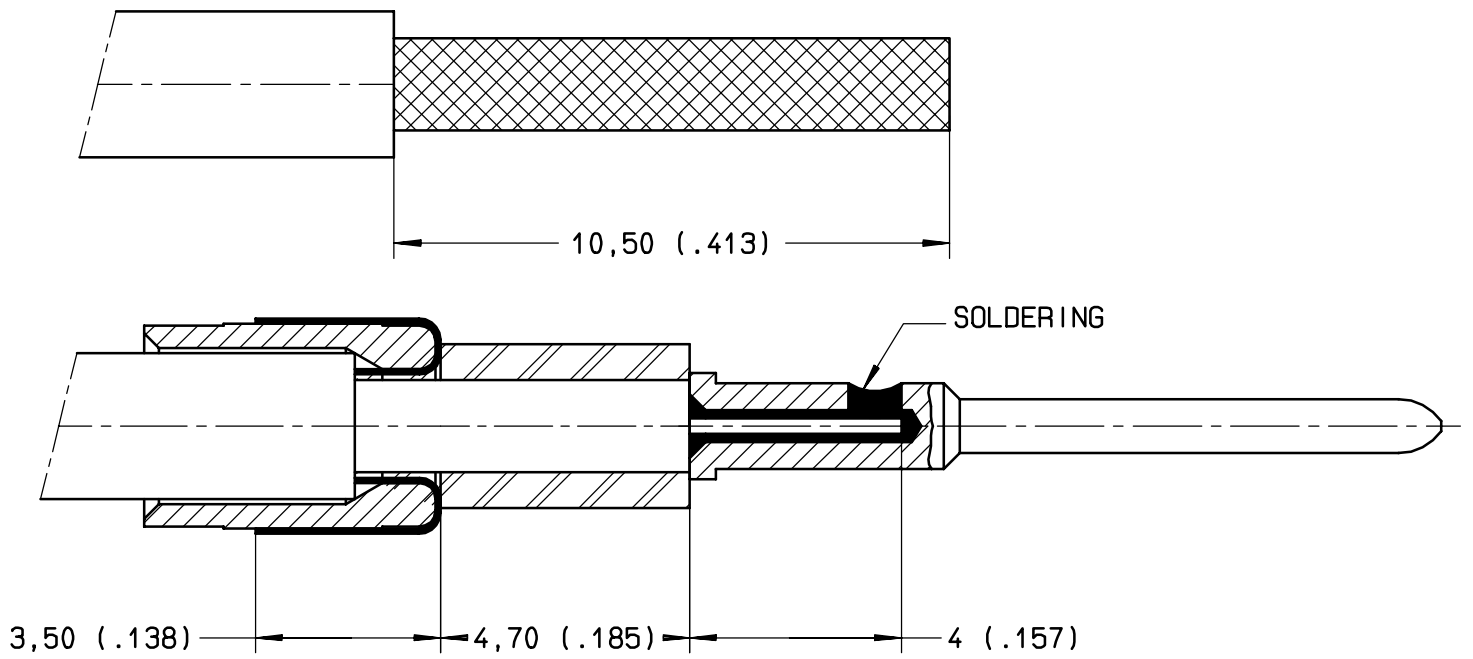
Issue:
23 NOV.04

Page
1 / 1

REPLACE 610041 CONTACT



CABLE STRIPING AND MOUNTING



CENTER CONTACT: SOLDERING
OUTER CONTACT: CRIMPING
WIRING INSTRUCTIONS PER MICT0100002

TOOLING: (ORDER SEPARATELY)
CRIMPING TOOL: M22520/5-01 (RADIALL 282293)
DIE: M22520/5-05 HEX B (RADIALL 282246)

MATERIAL:
- OUTER BODY: BERYLLIUM COPPER PER ASTM-B-196
- CENTER CONTACT AND FERRULE: BRASS PER ASTM B 453/b453M and ASTM B 16/BB 16M
- INSULATORS: PTFE PER ASTM-D-1710

FINISH:
- ALL METALLIC PARTS: GOLD PER MIL-G-45204, TYPE I OR II, GRADE C OR D, CLASS 1 OVER NICKEL PER QQ-N-290

INSERTION/EXTRACTION TOOL:
- M81969/28-01 (RADIALL 282 946)

This information is given as an indication. In the continual goal to improve our products, we reserve the right to make any modifications judged necessary.

4112-9610

CREATION
PEN: M040009384A
NOM: MACARI
DATE: 28-06-76	23 NOV 04	ADD. EC0316 CABLE and M040009384A	GOMBERT	LAHOREAU
APPR.: .	06 JULY00	DRAWN IN US VERSION	HASCOET	MACARI
	Issue	Revisions	Name	Approved