

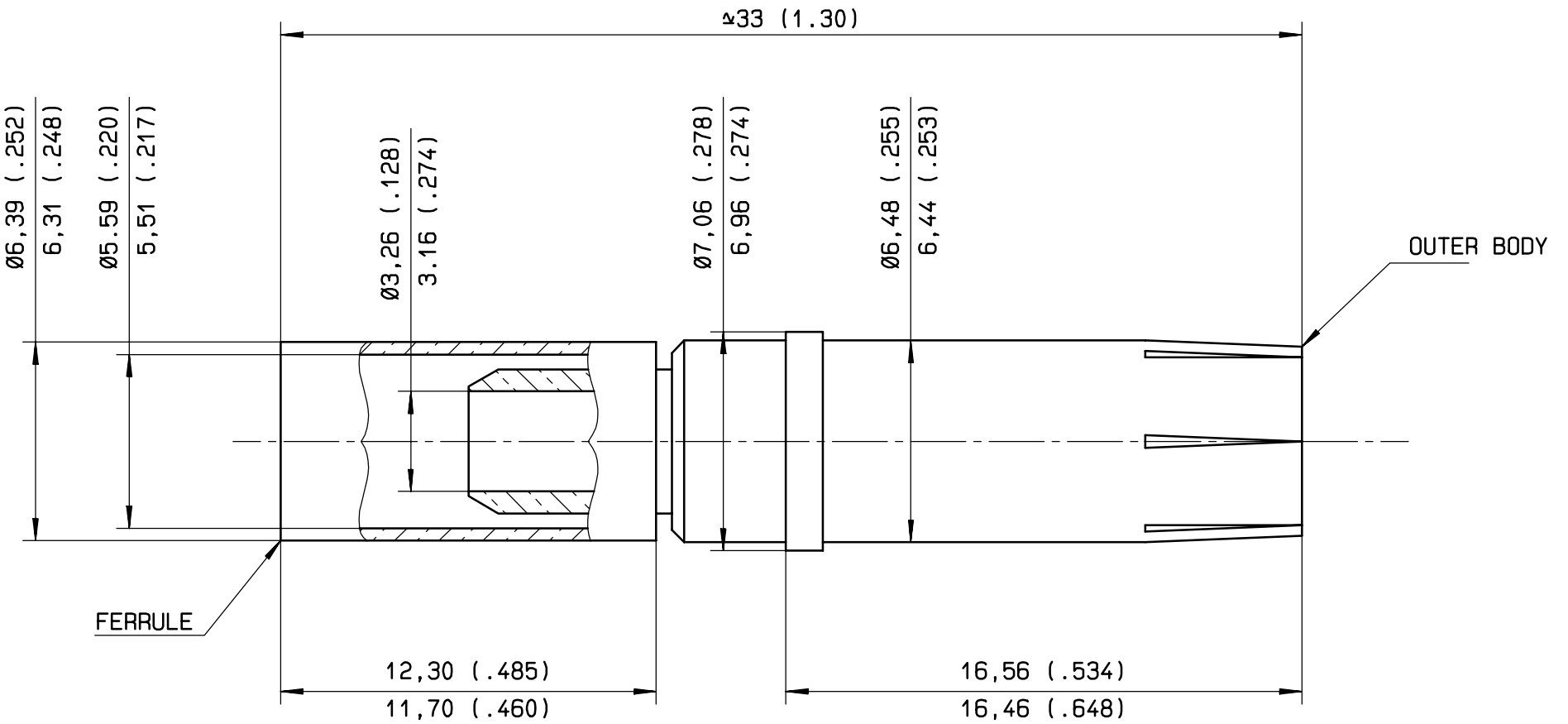


Series
DSX

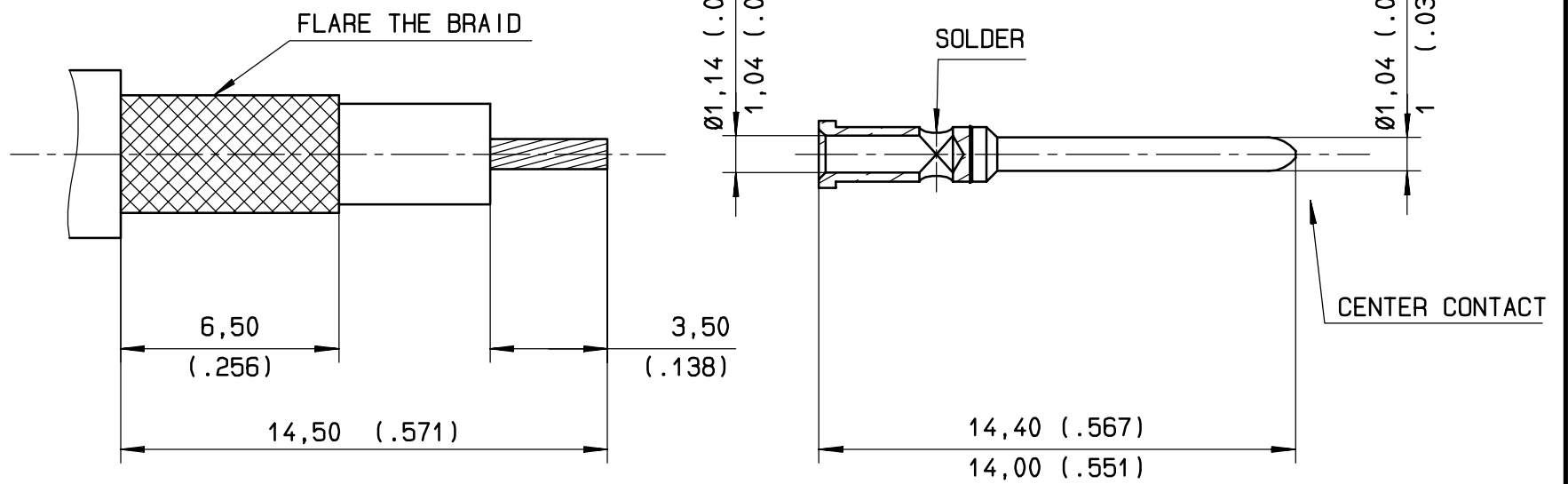
SIZE 9 COAX SOCKET CONTACT
FOR RG58 , KX15 . RG141 . ECO142 CABLES

Issue:
19 NOV. 04

Page
1 / 1



CABLE STRIPPING :



TOOLING :

CENTER CONTACT : SOLDER
 OUTER CONTACT : CRIMPING TOOL : M22520/5_01 (RADIAL 282293)
 DIE : M22520/5_05 (RADIAL 282246) Hex : A (5,40(.213)/FLAT)

MATERIAL :

OUTER BODY : BERYLLIUM COPPER PER ASTM-B-194
 CENTER CONTACT : BRASS PER QQ-B-626
 FERRULE : ANNEALED BRASS
 INSULATORS : PTFE PER ASTM-D-1710 OR EQUIVALENT

FINISH :

ALL METALIC PARTS : .00005 OF GOLD PER MIL-G-45204 TYPE I OR II , GRADE C OR D , CLASS 1 OVER NICKEL PER QQ-N-290

TEMPERATURE RANGE : -65°C TO + 125°C

INSULATION RESISTANCE : > 5000M Ω

DIELECTRIC WITHSTANDING VOLTAGE : 750 V RMS

NOMINAL IMPEDANCE : 50 Ω

VSWR : 1,3 FROM DC TO 1500MHZ

CONTACT RESISTANCE : < 5 m Ω

This information is given as an indication. In the continual goal to improve our products, we reserve the right to make any modifications judged necessary.

4112-9610

CREATION
PEN: M040009384A
NOM: JP MACARI
DATE: 25/10/74	19NOV04	ADD. ECO142 CABLE and M040009384A	GOMBERT	LAHOREAU
APPR.: .	9JUNE00	DRAWING ENGLISH	GOMBERT	V.D.M.
	Issue	Revisions	Name	Approved