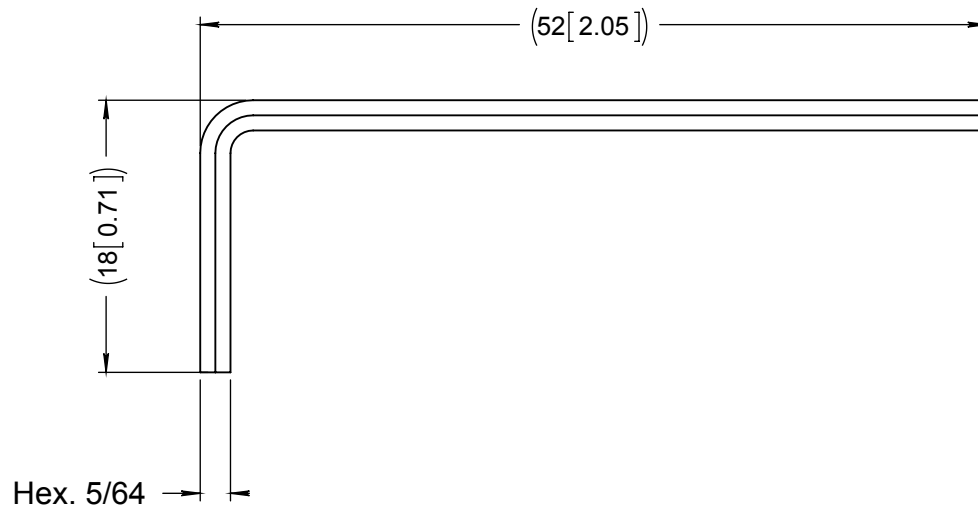


Series
EPXB

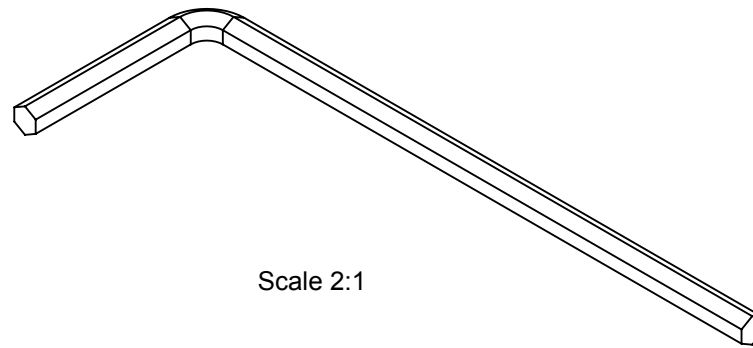
Allen wrench 5/64
(ISO 2936).

Issue:
April 28, 2011

Page
1/1

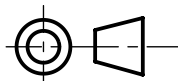


Material: burnished steel.



Scale 2:1

DIMENSIONS : mm (inch are given for information only)



This information is given as an indication. In the continual goal to improve our products, we reserve the right to make any modifications judged necessary.

4112_9311

CREATION				
PEN: 1008262				
NOM: PAILOT N.				
DATE: April 28, 2011				
APPR.: LE GLOAHEC	/	/	/	/
	Issue	Revisions	Name	Approved