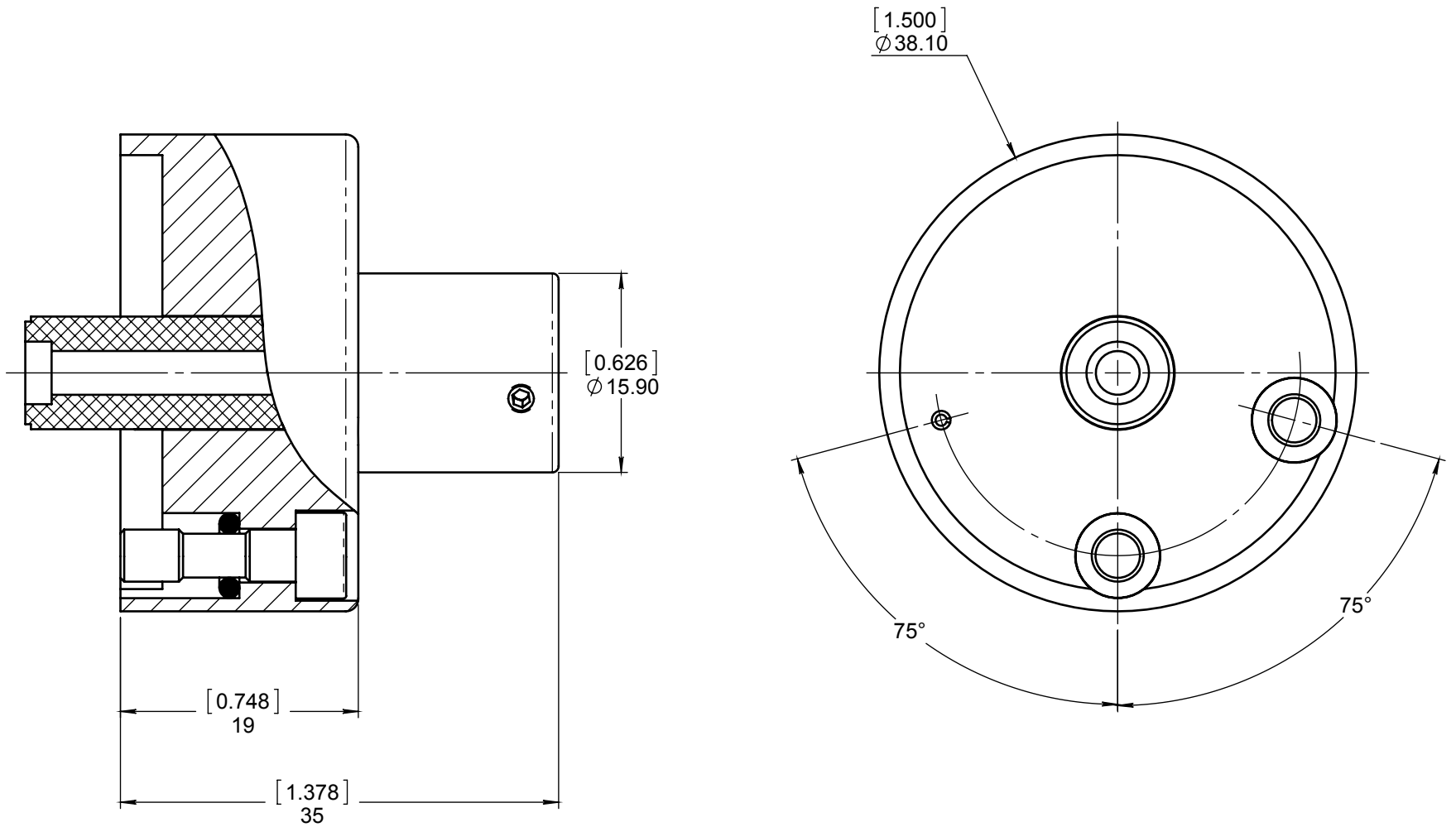


Series
NSX

POSITIONER FOR SIZE 8 CRIMP CONTACT
FOR CRIMPING TOOL 282 296

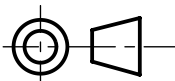
Issue:
August 1st, 2011

Page
1/1



CRIMPING TOOL : 282 296

DIMENSIONS : mm (inch are given for information only)



Confidential information not to be disclosed to third parties without Radiall approval. This information is given as an indication. In the continual goal to improve our products, we reserve the right to make any modifications judged necessary.

4112_9311

CREATION				
PEN:				
NOM: Branjonneau				
DATE: August 1st, 2011				
APPR.: M. Pessard				
Issue	Revisions	Name	Approved	