

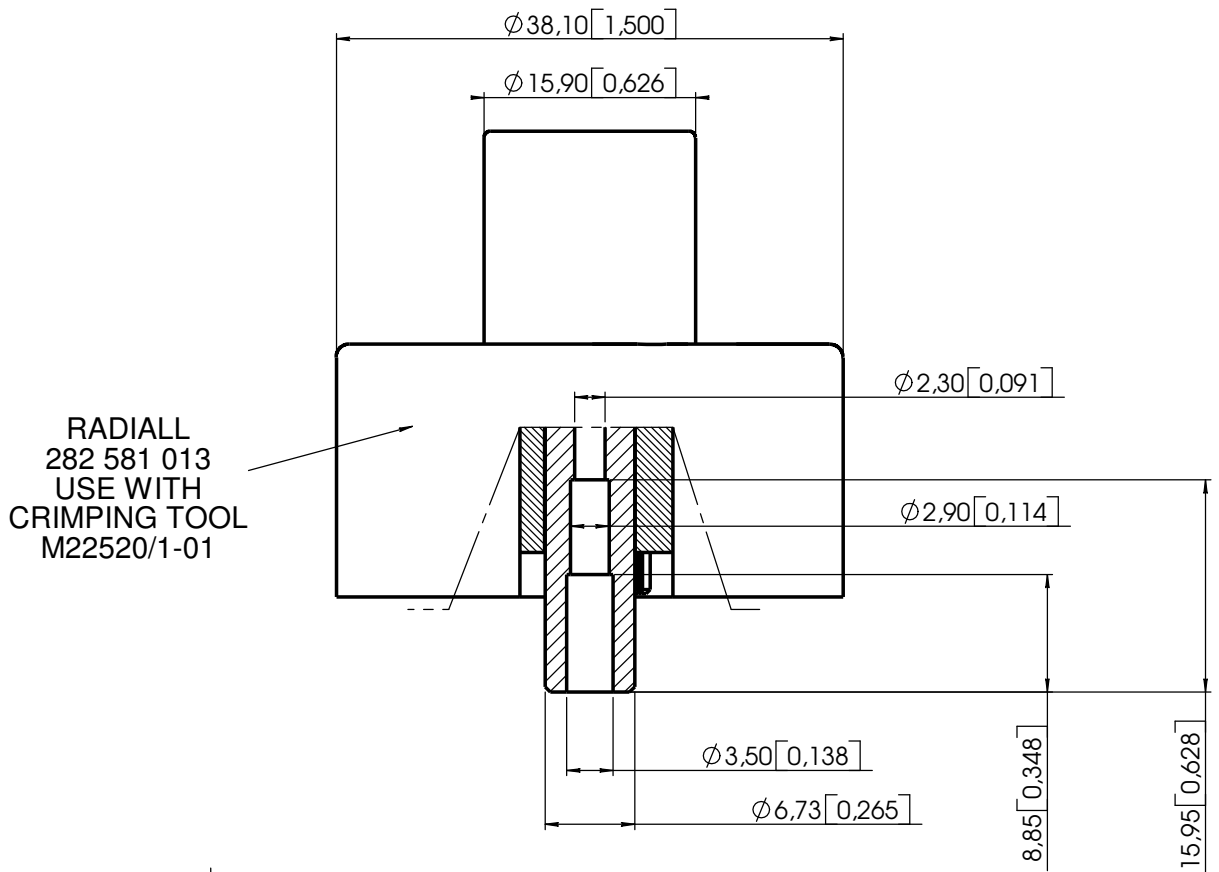
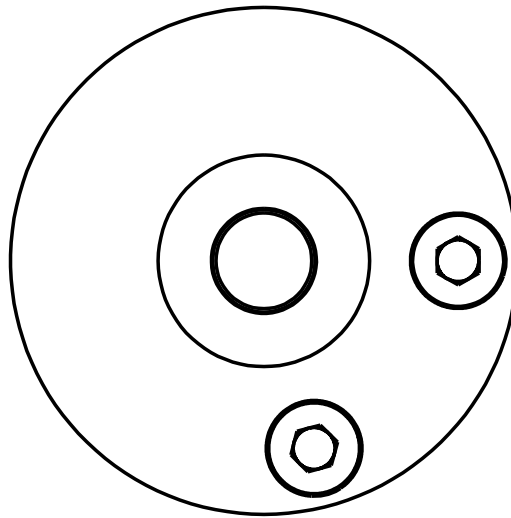


Series
R8

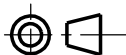
**POSITIONER FOR CRIMP CONTACT SIZE 16
SPL. OPTOELECTRICAL INSERT**

Issue:
14 MAR. 2005

Page
1/1



DIMENSIONS : mm (inch) -



This information is given as an indication. In the continual goal to improve our products, we reserve the right to make any modifications judged necessary.

4112_9311

CREATION

PEN: M040400050A

NOM: Baldyrou

DATE: 14 Mar. 2005

APPR.: Perrin

Issue	Revisions	Name	Approved