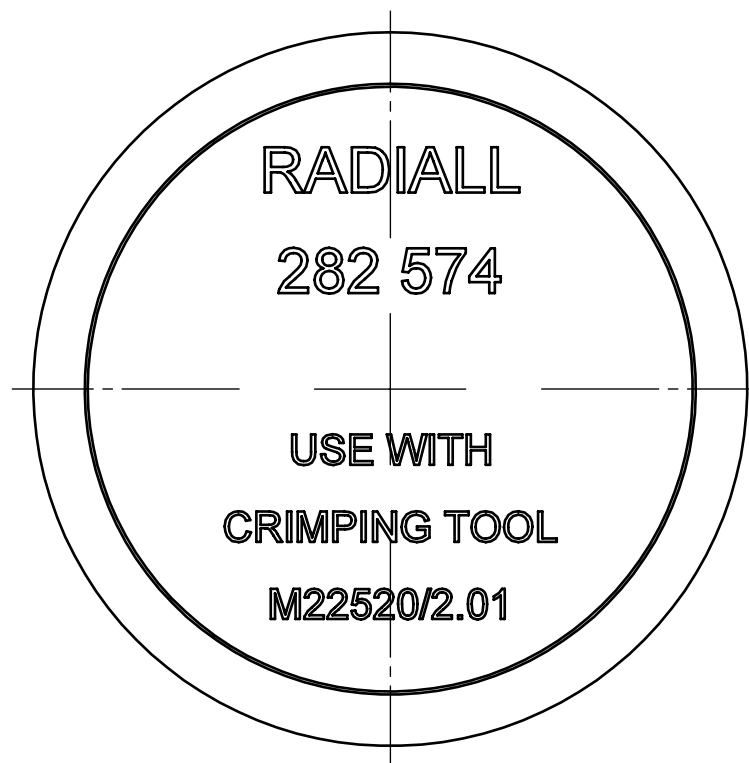
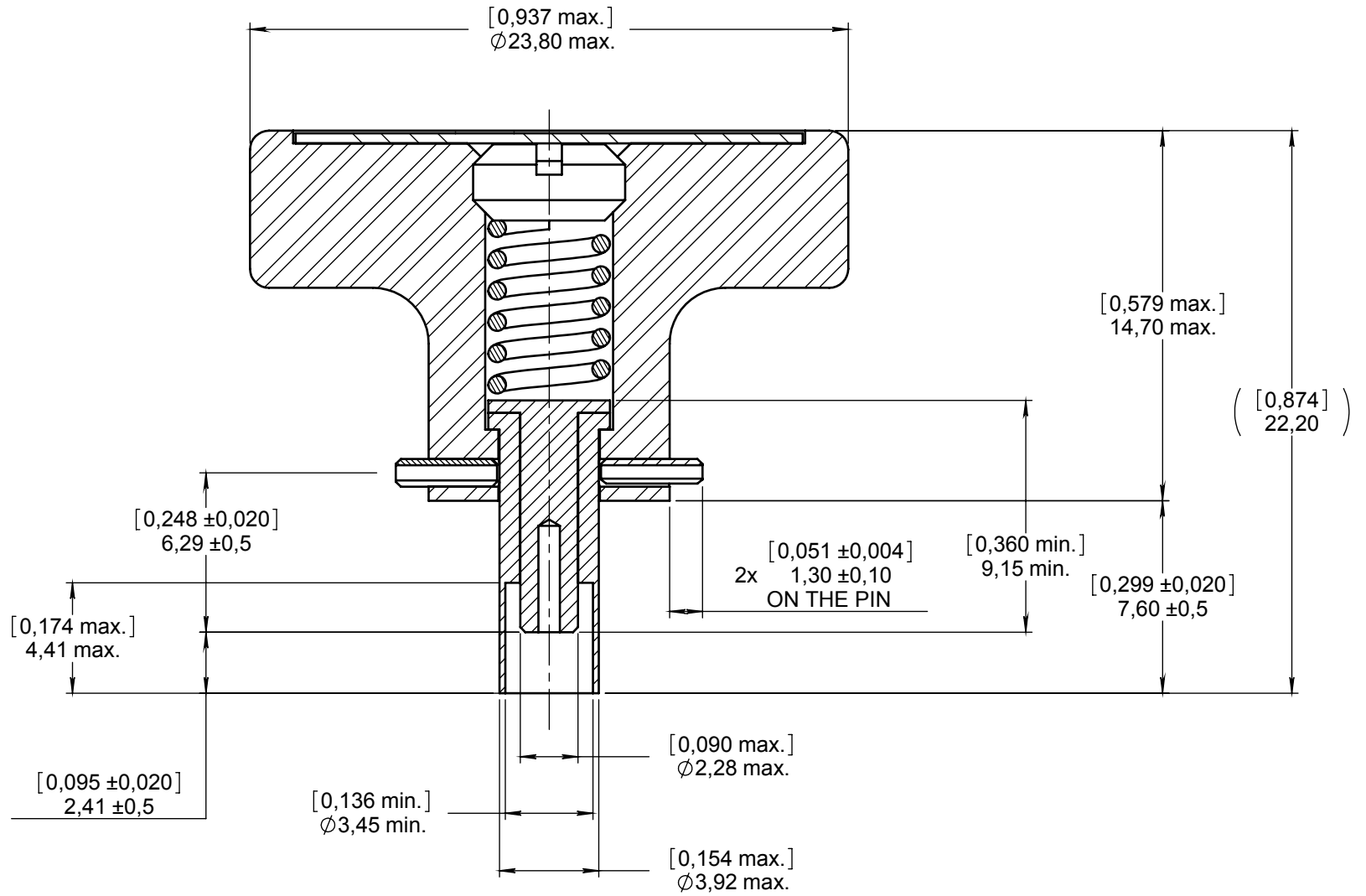


Series
MPX

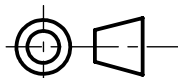
POSITIONER FOR TOOL M22520/2-01
(SIZE 8 TRIAX INTERMEDIATE CONTACT)

Issue:
MAR. 11, 2013

Page
1/1



DIMENSIONS : mm (inch are given for information only)



CREATION				
PEN:				
NOM: RAIMBAULT				
DATE: MAR. 01, 1990	Mar. 11, 2013	Type of marking changed	MONTIER A.	PAILOT N.
APPR.: LAHOREAU C	Dec. 16, 10	ADDED COTATION	LALLOZ	BROCHET
	Issue	Revisions	Name	Approved

This document contains proprietary information and such information shall not be disclosed to any third party for any purpose whatsoever or used for manufacturing purposes without prior written agreement from RADIALL. This information is given as an indication. In the continual goal to improve our products, we reserve the right to make any modifications judged necessary.

4112_9311