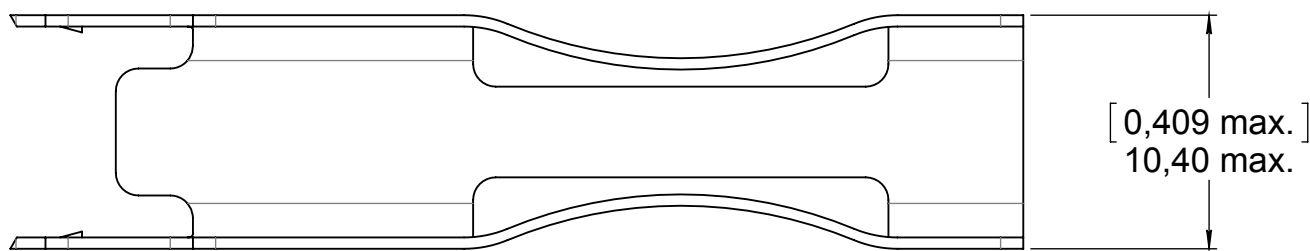
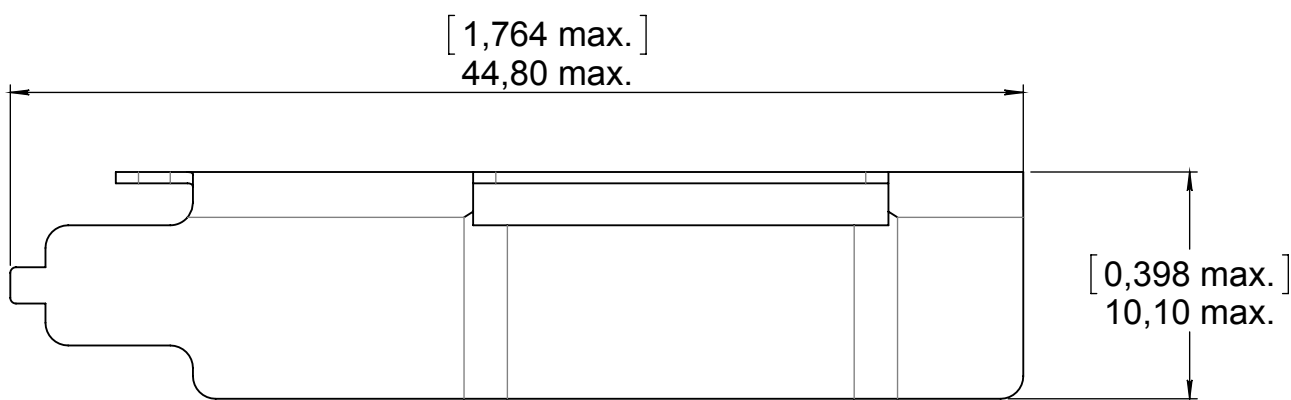
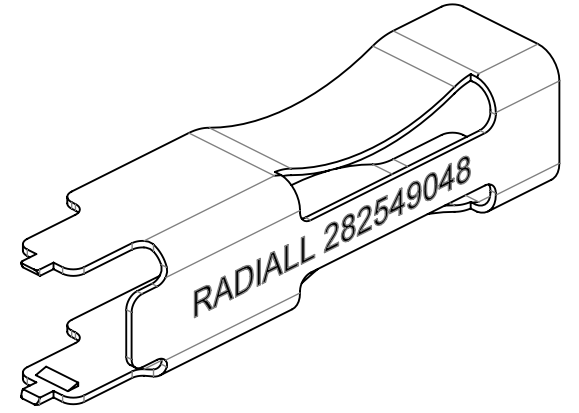


Series
QF

SLEEVE HOLDER EXTRACTION TOOL

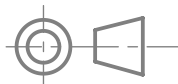
Issue:
04-08-16

Page
1/1



MATERIAL :
Stainless steel

DIMENSIONS : mm (inch are given for information only)



Estimated weight : 4.80 g

This document contains proprietary information and such information shall not be disclosed to any third party for any purpose whatsoever or used for manufacturing purposes without prior written agreement from RADIALL. This information is given as an indication. In the continual goal to improve our products, we reserve the right to make any modifications judged necessary.

4112_9311

CREATION				
PEN: 2008-03-311				
NOM: BERTHOME A.				
DATE: 15-02-16				
APPR.: MOUGIN S.	04-08-16	Design updated	Berthome	Mougin
	Issue	Revisions	Name	Approved

282549048EN

RADIALL PROPRIETARY INFORMATION