

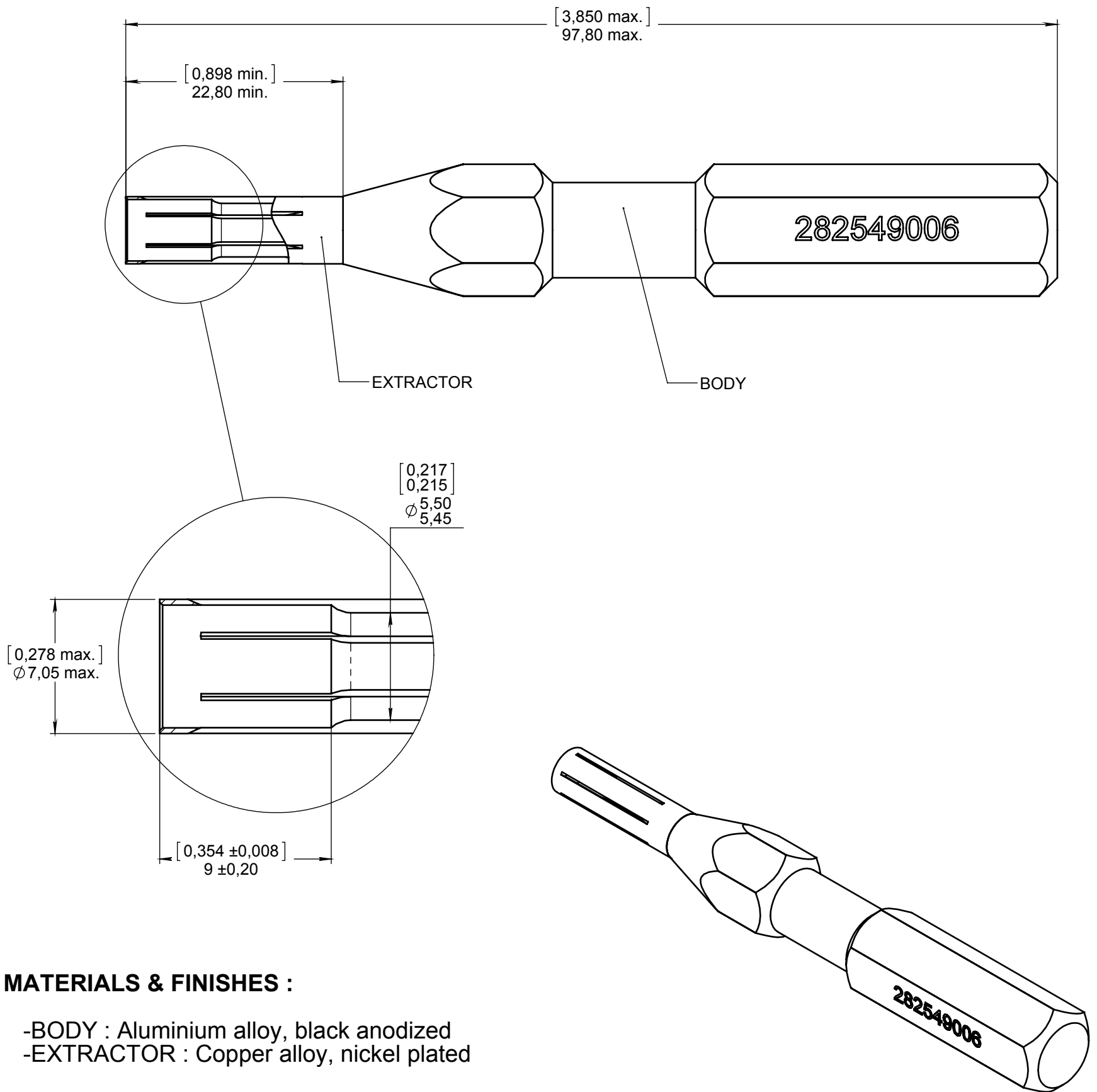
Series
DSX

EXTRACTION TOOL FOR
FRONT RELEASE FRONT REMOVABLE SIZE 5 COAX CONTACTS

Issue:
Nov. 10, 2015

Page
1/1

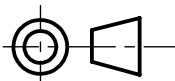
This document contains proprietary information and such information shall not be disclosed to any third party for any purpose whatsoever or used for manufacturing purposes without prior written agreement from RADIALL. This information is given as an indication. In the continual goal to improve our products, we reserve the right to make any modifications judged necessary.



MATERIALS & FINISHES :

- BODY : Aluminium alloy, black anodized
- EXTRACTOR : Copper alloy, nickel plated

DIMENSIONS : mm (inch are given for information only)



Estimated weight : 22.2g

CREATION PEN: NOM: POLINE E. DATE: Nov. 10, 2015 APPR.: VIEIRA D.				
	/	/	/	/
	Issue	Revisions	Name	Approved