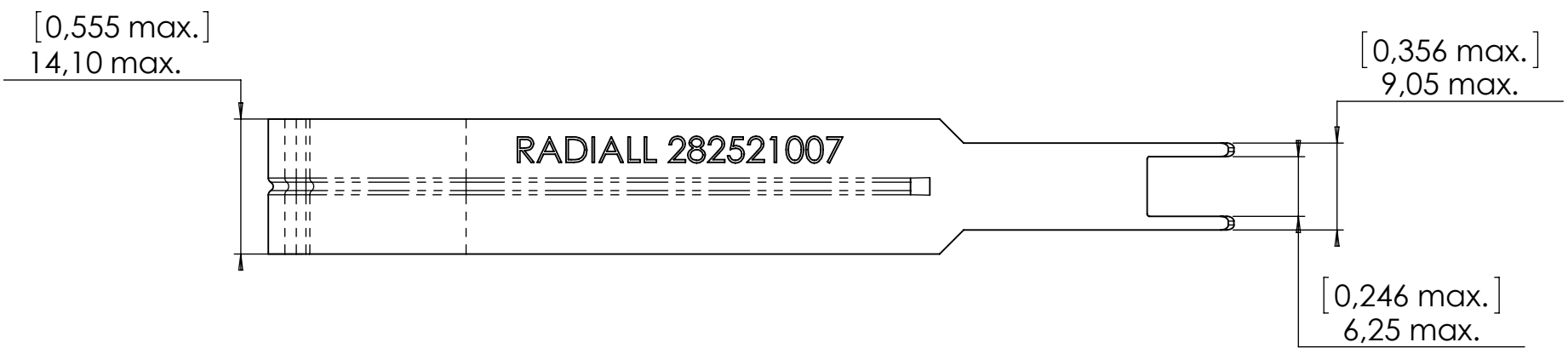
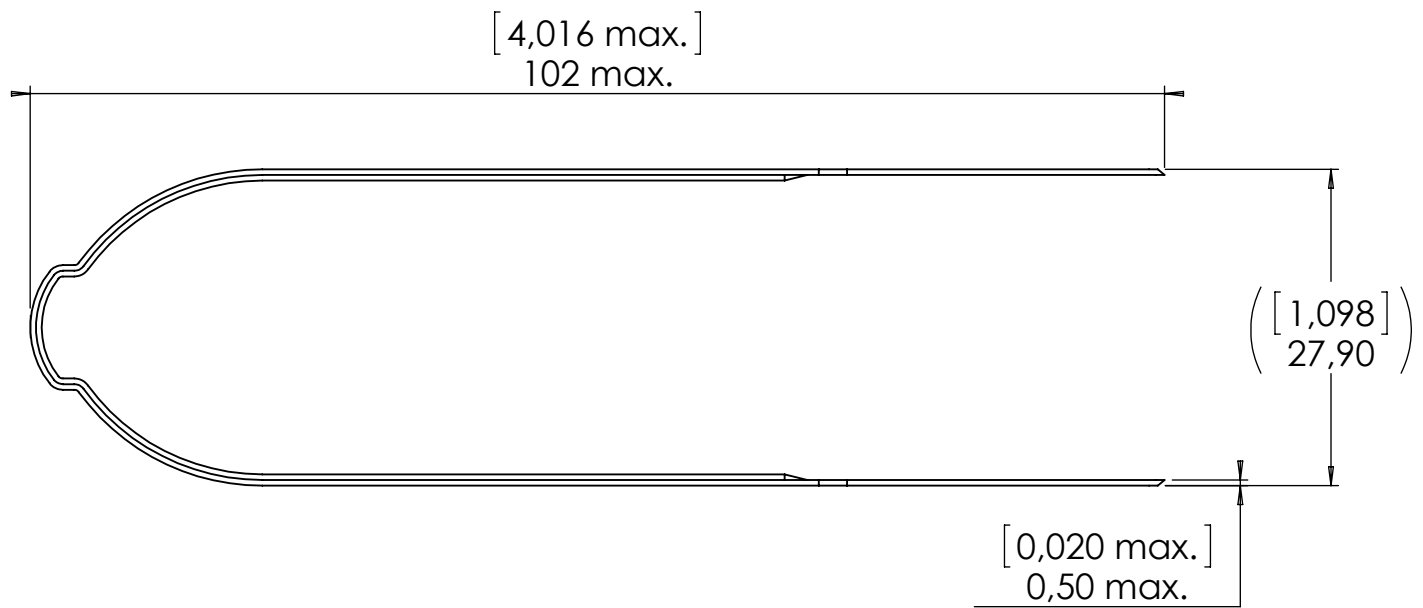


Series
EPXB

INSERT MODULE EXTRACTION TOOL

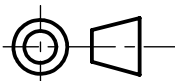
Issue:
Nov. 10, 2015

Page
1/1



MATERIAL :
Stainless steel

DIMENSIONS : mm (inch are given for information only)



Estimated weight : 10.3 g

This document contains proprietary information and such information shall not be disclosed to any third party for any purpose whatsoever or used for manufacturing purposes without prior written agreement from RADIALL. This information is given as an indication. In the continual goal to improve our products, we reserve the right to make any modifications judged necessary.

4112_9311

CREATION				
PEN:				
NOM: YON P.				
DATE: Nov. 10, 2015				
APPR.: VIEIRA D.	/	/	/	/
	Issue	Revisions	Name	Approved