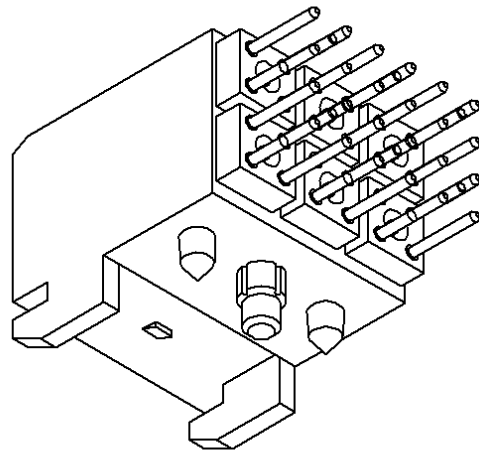
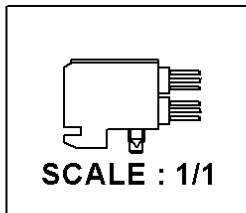
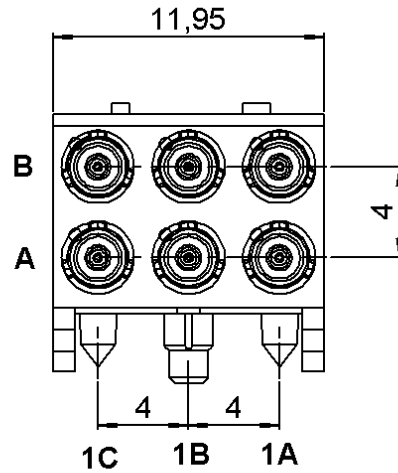
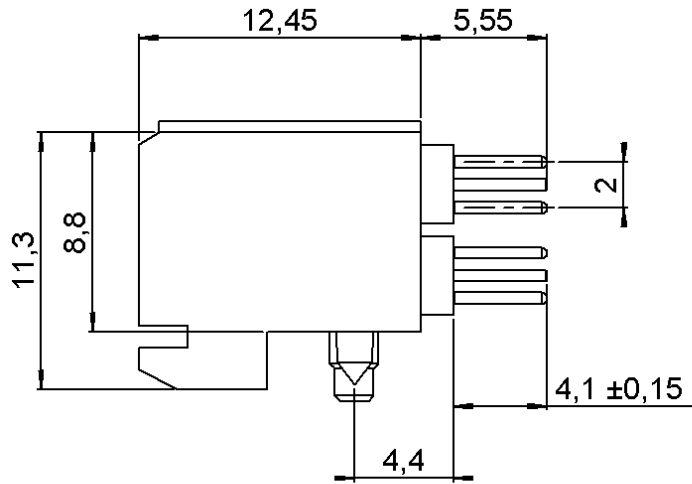


**FEMALE COAXIPACK 6 POSITION 6 COAX**

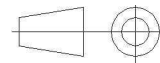
**R694.252.037**

**SOLDER TYPE 4.5 MM**

Series : MCC2



All dimensions are in mm.



COMPONENTS	MATERIALS	PLATING (µm)
BODY	BRASS	NPGR
CENTER CONTACT	BERYLLIUM COPPER	NPGR
OUTER CONTACT	-	-
INSULATOR	PTFE+PEEK	-
GASKET	-	-
OTHERS PARTS	LIQUID CRYSTAL POLYMER	-
.	.	.
.	.	.

Issue : 0814 C

In the effort to improve our products, we reserve the right to make changes judged to be necessary.



**FEMALE COAXIPACK 6 POSITION 6 COAX**

**R694.252.037**

**SOLDER TYPE 4.5 MM**

Series : MCC2

**PACKAGING**

**SPECIFICATION**

Standard	Unit	Other
<b>50**</b>	<b>'W' option</b>	<b>Contact us</b>

**ELECTRICAL CHARACTERISTICS**

**ENVIRONMENTAL**

Impedance	<b>50</b>	$\Omega$
Frequency	<b>0-6</b>	GHz
VSWR	<b>*1.3 + 0,0000</b>	x F(GHz) Maxi
Insertion loss	<b>0.4</b>	$\sqrt{F}$ (GHz) dB Maxi
RF leakage	- (	- F(GHz)) dB Maxi
Voltage rating	<b>500</b>	Veff Maxi
Dielectric withstanding voltage	<b>750</b>	Veff mini
Insulation resistance	<b>5000</b>	M $\Omega$ mini

Operating temperature	<b>-25/+125</b>	$^{\circ}$ C
Hermetic seal	<b>NA</b>	Atm.cm3/s
Panel leakage	<b>NA</b>	

**OTHER CHARACTERISTICS**

Assembly instruction

Others :

\* 0-3 GHz

\*\*Packaging into hot-formed tray

**MECHANICAL CHARACTERISTICS**

Center contact retention		
Axial force – Mating end	<b>6</b>	N mini
Axial force – Opposite end	<b>6</b>	N mini
Torque	<b>NA</b>	N.cm mini

Recommended torque		
Mating	<b>NA</b>	N.cm
Panel nut	<b>NA</b>	N.cm

Mating life	<b>500</b>	Cycles mini
Weight	<b>3,8200</b>	g

Issue : 0814 C

In the effort to improve our products, we reserve the right to make changes judged to be necessary.

